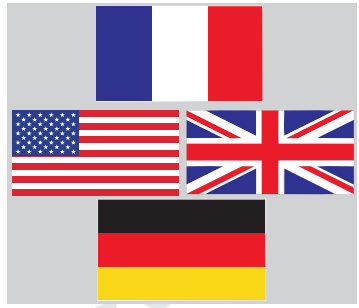


IP67
Waterproof
Electronics
Fan is Ip55



English
French
Deutsch



Designed and developed in England

STERLING POWER PRODUCTS

BATTERY CHEMISTRY MODULE

Advanced charging technology
Installations / Instructions
& manual



Inc temperature
sensor



Optional extra
Daisy chain digital
60°C battery
temp trip



WARNING

To remove upper lid

The lid is secured by two tabs to the base.

Simply use one hand.

Thumb on one tab and finger on the other tab. Press in no more than about 3 mm for the tab to clear the lid then simply lift off the lid.

Do not press too far as excess distance could break the tabs.

Damaged tabs cannot be covered by warranty

Warranty:

2 year return to factory
conditional warranty

www.sterling-power.com
www.sterling-power.usa.com

Made in Taiwan



Why do I need the chemistry module?

Most boats or specialised vehicles have multi-battery bank installations. This type of installation can cause problems if the battery chemistries in the installation are very different from each other (e.g. gel and open lead acid). Sometimes one battery bank may be on a totally different voltage scale (i.e. you may have a 12V charger and require 24V for 1 battery bank (or vice versa)). A typical example of this is a GEL battery bank for your starter, an Open Lead Acid battery bank for a secondary / aux battery system and a 24V lead acid sealed for the bow thruster. This causes a problem for most multiple standard output battery chargers as they can only be set to 1 battery chemistry type and 1 voltage scale. The traditional formality in this situation would be to set the charger to the lowest voltage profile of all three banks. This is problematic as many battery chemistries (GEL, AGM and lithium) have sensitive / specific charging profiles, similarly, too low voltage charging reduces the potential performance of the charger.

What does it do?

This device will take the lower voltage power from the battery charger and increase its voltage to match the required charge curves of the other battery bank chemistries. The output voltage is independent of the charger's input voltage this enables a totally different chemistry profile (or even voltage scale i.e. 12-24V) to be selected. This gives all the advantages of the multi chemistry, multi output charger without the huge extra cost. It can be simply retro fitted to any multi-output charging system (within the limitations of the product).

Main Battery Charger requirements for this product to work.

- 1) The battery charger should be a multi-output charger, with 2 or more outputs. The charger's voltage and current must fall inside the BCM rating. I.e. no more than 60A if the BCM is a 60A model.
- 2) The charger's output must be a power pack. I.e. if the output charge cable is removed and the charger switched on there should be about 13/14V or 26/28V (depending on model) on the actual charger terminal with no cables connected.
- 3) If the charger's output has a reverse polarity disconnect on the terminal or requires a voltage feedback to the terminal before activation then the battery chemistry module will not work. I.e. we need an active voltage on the charger terminal for our product to work.

Advantages of this unit.

- 1) Easy to install, simply break the main charge cable and insert the unit. Add a negative cable and a few small low current cables (temperature sensing and remote sensing).
- 2) Will convert **single stage chargers into a multiple stage chargers.**
- 3) 12V-24V, 24V-12V, 24V-24V and 12V-12V models available with 9 battery chemistries selectable.
- 4) Allows a retro fit on an older charger rather than having to install an expensive new product.
- 5) 9 selectable battery chemistries to choose from,

including a de-sulphation cycle. LiFePO₄ cycle with BMS integrated off ability.

- 6) 4 models: 12V-12V up to 60A, 24V-24V up to 30A, 12-24V up to 30A at 24V and 24V - 12V, up to 50A at 12V.
- 7) Temperature sensor for each module. This compensates for temperature and high battery temperature trip, if required, reduces voltage of unit.
- 8) Remote battery sense for each module.
- 9) 6 LED charge and warning information LEDs
- 10) Fail safe, reverts to basic charge function in event of a failure, replace/repair at convenience.
- 11) High battery temperature daisy chain trip. So, every battery can be monitored and the unit's voltage is disconnected in the event of battery temperature problems on any battery (ie unit is switch off).
- 12) Ignition / signal feed to link in with a Sterling Pro Split R alternator splitter. This allows the output to be further split.

Installation:

Should only be fitted and operated by an individual competent in electrical installations. If in doubt please install using a competent electrical installer. Remove the lid by pressing in carefully with your thumb and finger, don't push the tabs much more than 5mm. Then the lid should slide off.

Set this unit as close to the battery charger as possible in a cool dry ventilated space. As with most ideal conditions on a boat, the cool, well ventilated part is a bit of wishful thinking. With this in mind you may notice that the unit comes with a heat sink and a cooling fan. This unit can fully function in an ambient of 50°C. After about 55-60°C the units performance will diminish down to about 80°C where it will shut down.

If you have to fit it in a hot engine room then it should be okay but try to fit it low down on the bulk head as it will be a little cooler there.

Cables

The Positive Cables - carry the full current of the battery charger and should be rated as such, look at the chart over the page for recommended positive DC cable sizes.

Fusing

DC - Fuse selection - as per the diagram, each positive output from the module or charger to the battery must be fused. Choose a fuse that is about 20% higher in amperage rating than the maximum rating of the charger, and round it up. Remember, this fuse is primarily protecting the cables and not the product. E.g. a 20A charger would have about a 25A fuse. A 60A charger about a 75A fuse. A full range of fuses and fuse holders are available at Sterling Power.

The Negative Cable - due to the nature of this technology the negative only carries about 1/3 the current of the positive cable (about 20A on a 12V) unit. This is why the stud is smaller and the cable requirement size is smaller (20A cable).

Before starting ensure the battery charger is switched off

and the 230V /110V AC isolated, then, connect the input positive cable first, then the output positive cable, then the negative.

Remote sense, because the unit can compensate for voltage drop in the cable (if required and fitted) it is best to fit the unit as close as possible to the battery charger.

Setting the Main Battery charger (not the module).

The main a/c mulatable output battery charger must be set to the lowest battery type setting , ie if you want to charge a gel(14.4) and a open lead acid battery (14.8) then the main charger must be set at the lowest voltage (14.4) the battery module can only increase the voltage above the main charger it cannot decrease the main charger voltage. Failure to do this will prevent the Battery chemistry unit from working correctly

Battery type selection - this is simple to do, simply remove the lid exposing the rotary switch (number 16 on Fig 1). Look closely for the small arrow to indicate what position it is pointing at. On start up the top blue (number 7 on fig 1) LED will flash x number of times to indicate the setting. E.g. 4 flashes when unit fires up every time = position 4 on the switch. If this is not the correct setting then simply rotate the knob to correct the position. Then switch the battery charger off (wait a few minutes) then back on again and the flashes will change. Ensure you have the correct number of flashes for your battery type (note: the incorrect battery setting for a few minutes will not cause any damage to your batteries). The battery type voltages are on the front label of the product and on the table over leaf.

After selecting the battery type, make sure the voltages fall into the battery companies range for their battery requirements. It may be necessary to use a different battery type to obtain the correct voltages you need for your battery. Remember, it's the voltages which are more important than our battery types - we have simply tried to decipher a quagmire of different companies' requirements and group them in some sort of order for the general public to make what sense of them they can. The voltage requirements of the battery company will override our recommendations as it is them who are supporting the battery warranty etc. Adjust to suit their requirements.

Some basic battery type information

Flooded or open lead acid batteries, where you can unscrew the lid of the battery and are able to top it up with water, these are by far the best types for fast charging and long life (max voltage 14.8V).

Gel / Exide spec. This program is, as per the recommendation of Exide, set at a voltage of 14.4V for about 10-12 hrs. The unit then drops to float.

Gel U.S.A. spec. For some reason known to someone, but not to us, the American gel manufactures want a different charging regime than the European ones. Don't ask us why, if in doubt, ask the battery supplier, this setting has a max charging voltage of 14.1V.

Sealed lead acid / A.G.M. This is set to a maximum charging voltage of 14.4V with a software program to match most of these battery types. Some AGM batteries only want 14.1V, if so, set the unit to the American gel setting. If in doubt ask the battery supplier.

Lithium LiFePO₄, should only be used with a Battery Management System for the batteries to balance and protect them.

Fit the unit, as close as possible (taking into account the above requirements) to the battery charger.

If you must fit it in an enclosed engine room (i.e. a small yacht, where the engine room is fully enclosed with sound proofing all over the place) then fit any equipment as low as possible. It is best to fit it outside the engine room near the battery box.

Battery temperature sensor: Simply connect one of the enclosed temperature sensor to a battery terminal post (negative) and to the 2 x small terminals marked battery temperature sensor. Simply insert one wire into each side, there is no polarity on these wires. Make sure you do not crush the temp sensor which is a small device inside the yellow ring terminal, as this will destroy the processor chip. The output voltage will be reduced in accordance with manufacturer's battery charging temperature curves. In the event of the battery temperature increasing due to battery failure, if the batteries exceeds 55°C, the unit would trip.

Battery temp trip (daisy chain) or BMS trip. This unit has a circuit which, if opened circuited, the unit will stop working (connector 1 on the information drawing). The product comes with a link wire across the two terminals to neutralise this trip, if you wish to use this circuit to daisy chain or allow a BMS to trip the unit then remove the link and add the devices. This can be used to daisy chain high temp trips (the blue ones). These are normally 60°C temperature trips, as such, they can be linked in series to any number of batteries. If a battery reaches over 60°C the link is broken - the product trips. Or, this can be linked to a BMS (Battery Management System) for lithium this can break the circuit to trip the high charged side of the unit.

WHAT CABLE TO USE (mm sq)

A charger or inverter up to	cable run distance 0-1.5m	1.5m - 4m
0-25 amps	6 mm sq	10 mm sq
25-45 amps	16 mm sq	25 mm sq
45-85 amps	25 mm sq	35 mm sq
85-125 amps	35 mm sq	50 mm sq

Please note that if there is a problem obtaining for example 90 mm sq cable, simply Use 2 x 50 mm sq , or 3 x 35 mm sq , the cable is simply copper, and all you require is the copper. It does not matter if it is one cable or 10 cables as long as the square area adds up. Performance of any product can be improved by thicker cable, so, if in doubt round up.

The product will auto start when power is supplied to the input side of the device from the battery charger.

Number key

1) Optional. High battery temperature trip / BMS remote off. The 2 connectors in position 2 should come linked, if linked then the port is operational. Any break in this link will shut down the product. It can be used to daisy chain normally closed temperature sensors or to a BMS for remote switching of unit (see instructions later). **Must have link wire in or daisy chain in for unit to work (not a required fit).**

1A) This link wire must be installed in standard setup if Daisy chain thermal sensors not installed

2) Battery temperature sensor connection (unit will assume default of 25°C ambient if sensor not connected) (Yellow enclosed sensor).

3) Main Positive DC from unit to battery bank (OUT).

4) Main Negative (must be common negative system)

5) Main positive DC power input, from supply charger (IN).

6) DC feed control for fan to ease fan replacement.

7) Blue LED Charging information

8) Yellow LED Charging information

9) Green LED Charging information

10) Red LED Fault information

11) Yellow LED Fault information

12) Blue LED, power input to unit - unit active

13) Remote control & re-programming port

14) Remote battery sense wire to compensate for voltage drop in cable up to 1 v above set (does not need to be used)

15) Dummy ignition output to operate sterling Pro Split R splitter to split the output further if required

16) Battery type selector

17) 2 x Fuses, overload protection (main current) Model dependent

18) 1 x Fuse for negative overload (25A), model dependent

19) Battery temperature sensor, fits in position 2

20) Daisy Chain Temperature Trip (optional)

LED functions

Red LED (number 10 above). ERRORS resulting in TRIPS

Alarm codes - there are 6 voltage reduction alarms

Remote control ERROR display stated in the form (EOx).

LED state:

On (solid) = (E00) = High input voltage

1 x Flash = (EO1) = High Output Voltage. This could be caused by a product malfunction or possible high voltage feedback from other charging sources on the output battery bank.

2 x Flash = (EO2) = High Temp trip (80°C). The unit has overheated, this could be due to a fan failure or simply installed in too hot an environment.

3 x Flash = (EO3) = High Battery Temperature trip (55°C). Only applicable if the battery temperature trip cable is connected. In event of a battery overheating (unlikely under normal operations). Nevertheless, this unit has a temperature / performance reduction algorithm in the software to prevent unnecessary tripping.

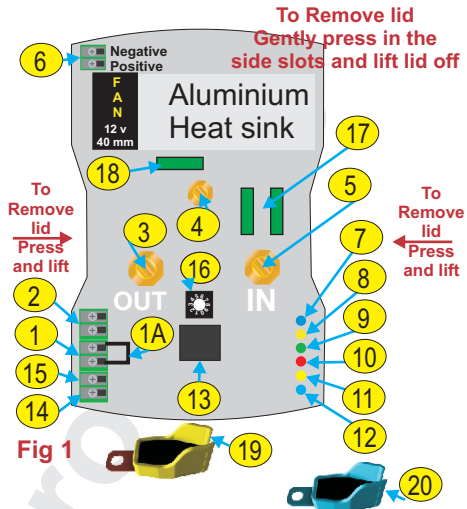


Fig 1

5 x Flash = (EO5) = Daisy Chain Break. If the daisy chain connection is broken then the unit will trip (60°C).

6 x Flash = (EO6) Mechanical trip (100°C). Last resort trip.

These trips open circuit the relay. They do not automatically reset, they require the user (you) to manually turn the unit off and on again. To reset these trip conditions you must shut down the input power to the unit (i.e. switch off the main battery charger). This will kill the processor. These trips will also automatically reset every time the main power source / charger is switched off.

Yellow LED (number 11 above). WARNINGS

These are warnings and do not involve the unit tripping.

LED state:

On (solid) Low Input Voltage. Check charger power source voltage is above 11.0V (x 2 for 24V).

1 x Flash = Low Output Voltage. The output voltage is too low for the unit to activate.

2 x Flash = High Temperature Warning (65°C+). LED comes on to warn that the temperature of the unit has exceeded 65°C.

3 x Flash = Remote sense voltage compensation maximised (only relevant if the remote sense cable is used) check output cable thickness. For safety reasons the remote sense has only the ability to increase the voltage from the product by 1.5V to compensate for output cable voltage drop (any more than this the cables could overheat). The cable is too thin or the run too long. For the module to fully compensate for the voltage drop, there is no problem as far as safety is concerned, it shall just in a potential loss of performance. To fix this, check your cable thickness and length is suitable for the current used.

Manual / deliberate trip. If you wish to open circuit the BCM manually, you can, with the remote control (see Remote Control page). This shall result in LEDs 7,8,9 (blue, yellow and green) flashing. This display suggests the BCM has been manually tripped, this is not a warning nor an error, simply initiated by the user. It results in the total isolation of the battery charger from the batteries.

Start up and self test procedure.

Once the unit has been correctly installed and the main battery charger is off, there should be no LED on. Start the battery charger, the start up sequence is:

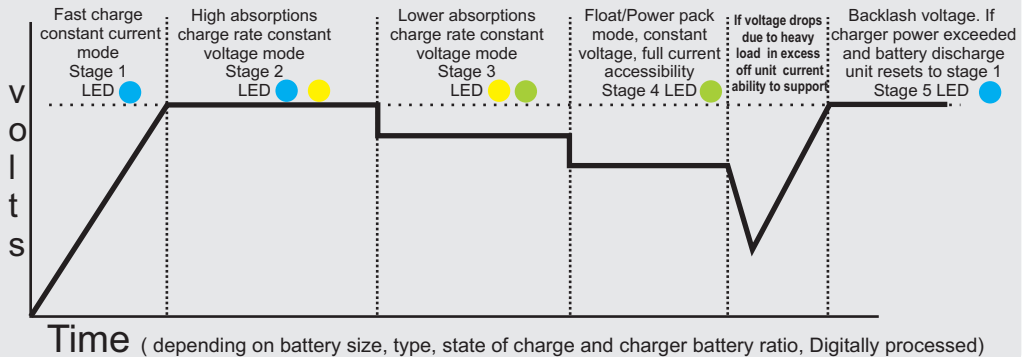
- 1) blue 'power on' LED at the bottom will illuminate
- 2) Approx 0.5 seconds later all the LEDs will illuminate to show all LEDs are okay.
- 3) All LEDs off then the top blue LED will flash x times between 1 and 9 flashes, this shows what setting the rotary switch is set to for battery profile type.
- 4) All LEDs off then the fan will ramp up to full speed to show the fan is okay and multi-speed functions are okay.
- 5) After fan test the green LED (number 9 on fig 1) will flash 2 times indicating the battery temperature sensor is connected, and, if there is no flashes (or even the green LED on) then the temperature sensor is **not** connected and the unit will default to 20 Deg C (ambient control setting).
- 6) Unit will proceed to charging mode

Unit starting to charge going through its 5 stage charging cycle as per below graph

If, on start up, nothing happens, then check if the top blue LED is on. If not there is no electric going to the unit, if so, measure the input and output voltages and see if the output is a larger voltage then the input to confirm the unit is operating.

Remote control panel see fig 5

Charging profile Information displayed on top 3 LEDs on main unit



Battery Chemistry selection

Blue LED flash and Switch position

	Charge volts	Conditioning volts	Float volts	Min Boost mins	Max Boost mins
1) Gel USA	14.0	13.85	13.7	60	600
2) A.G.M	14.1	13.75	13.4	60	480
3) Sealed	14.4	14.15	13.6	120	480
4) Gel Euro	14.4	14.0	13.8	720	1440
5) A.G.M 2	14.6	14.1	13.7	60	480
6) Flood/open	14.8	14.0	13.3	60	480
7) Calcium	15.1	14.3	13.6	60	360
8) De-sulphation	15.5	0	0	240	240
9) LiFePO ₄	14.6	14.4	14.4	30	30

Fuses: all wires directly connected to a battery must be fused, we recommend a fuse about 20% larger than the max current to be carried ie a 60 amp battery chemistry module should have approx 80 amp fuse on the output to the aux battery, the fuse should be positioned within 15 inches / 350 mm of the battery, a range of high current pre fused cables are available from Sterling Power products

Remote Control

The home screen displays the output voltage from the battery charger.

If 'crc' is displayed at any point, simply ignore, continue as you were, all this mean is that the remote has received a corrupt readout signal from the BCM (merely momentary).

Please note for 24V only operations you set up as 12V. I.e. if you want to set a voltage, for example, 26V you set in the parameters for 13V.

Remote Buttons

Left Button (Volts Alarm Select). Press button for output voltage. Press button again for remote sense voltage. If remote sense voltage cable is not connected then the display is 0.0V (with a red backlight). Press button again to revert back to home screen input voltage. **Hold** button for 4 seconds to set alarm to 'off', repeat procedure to turn alarm to 'on'.

Right Button (Temp Menu Setup). Press button for unit temperature. Press button again for battery temperature (via batt temp sensor). If sensor is not attached then the reading shall be **nc (non compliant)**. Press again to view unit temperature.

To access the menu and adjust parameters:

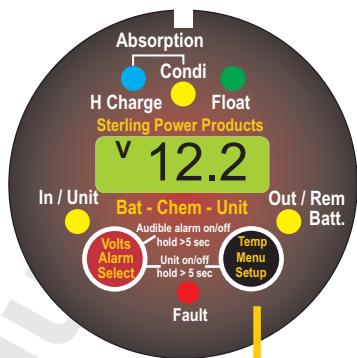
To access the menu and adjust the parameters press and hold the right button (Temp Menu Setup) until **SEL** appears (approx 5 seconds), then let go. **bPc** shall appear and you can now scroll through all of the 18 parameters unidirectionally using the right button only. You can enter whichever parameter you wish by pressing the left button (Volts Alarm Select). Certain parameters are adjustable, the majority are, however, just a read out. Refer to the chart below.

To exit from the menu, holding down both left and right buttons simultaneously will result in END appearing on the screen. This shall ultimately revert back to the home screen.

Setup - Menu: To eject from menu simply do nothing for 10 sec it will jump out

<p>“bPc” ← SEL</p> <p>“btY”</p> <p>“coU”</p> <p>“IoU”</p> <p>“C/F”</p> <p>“buC”</p> <p>“ASc”</p> <p>“con”</p> <p>“bLc”</p> <p>“bLt”</p> <p>“br9”</p> <p>“b9b”</p> <p>“LEd”</p> <p>“uld”</p> <p>“uSW”</p> <p>“rSW”</p> <p>“Loc”</p> <p>“rSt”</p>	<p>“bPc” display boost current in percent.</p> <p>“btY” displays battery profile type (0-9). This number denotes which charging profile the BCM is set to. (Ref: table labelled 'Battery Chemistry Selection' on page 3).</p> <p>“coU” displays cut off voltage (the voltage at which the BCM stops boosting) (12.5V)</p> <p>“IoU” display input / output base voltage (12/24V). Essentially the voltage scale the system is at.</p> <p>“C/F” change from celcius to fahrenheit or back* (default = celcius). Press right button to change between Fahrenheit (FAH) and Celsius (cEL)</p> <p>“buC” turn Buzzer on/off* (default = on). Left button for off and right button for on</p> <p>“ASc” Autoscroll on / off (default = off). Left button for off and right button for on</p> <p>“con” change contrast* value from 0 to 7 (default = 3). Left button down and right button up.</p> <p>“bLc” change backlight colour*. off <- auto -> green -> red -> blue (default = auto). To change right button goes from off ---> blue and left button goes blue ---> off.</p> <p>“bLt” change backlight time*. 1 - 600 seconds, 0 = always on, (default = 60). Right button goes up the values, left button goes down the values. Hold button to accelerate.</p> <p>“br9” change voltage from red to green backlight* 8.0 - 13.3V (default 12.4V). Press right button to increase value, press left button to decrease value. Hold to accelerate.</p> <p>“b9b” change voltage from green to blue backlight* 12.4 - 16.0V (default 13.4V). Press right button to increase value, press left button to decrease value. Hold to accelerate.</p> <p>“LEd” change LED on time 1 - 600 seconds, 0 = always on, (default = 60). Press right button to increase in value, press left to decrease in value. Hold button to accelerate.</p> <p>“uld” display Unit ID</p> <p>“uSW” display unit software version</p> <p>“rSW” display remote software version</p> <p>“Loc” Lock unit lock code = 1 to 999 (default = unlocked). WARNING This mode shall lock the unit by virtue of a pass code, be careful. Press right button to increase value, press left button to decrease value. Please release button when on the number you require, the software shall store this number, then the display shall read: loc -> on -> #. # = number you have stored. To remove loc, return to loc and re-enter the number, release buttons and the display should read: loc -> off (green backlight). Please make a note of this loc code.</p> <p>“rSt” Reset to default values*. Left button NO, right button YES. Let go when on YES to reset.</p>
-------------------------------------------------------------------------------------------------------------------------------------------------------------------------------------------------------------------------------------------------	---------------------------------------------------------------------------------------------------------------------------------------------------------------------------------------------------------------------------------------------------------------------------------------------------------------------------------------------------------------------------------------------------------------------------------------------------------------------------------------------------------------------------------------------------------------------------------------------------------------------------------------------------------------------------------------------------------------------------------------------------------------------------------------------------------------------------------------------------------------------------------------------------------------------------------------------------------------------------------------------------------------------------------------------------------------------------------------------------------------------------------------------------------------------------------------------------------------------------------------------------------------------------------------------------------------------------------------------------------------------------------------------------------------------------------------------------------------------------------------------------------------------------------------------------------------------------------------------------------------------------------------------------------------------------------------------------------------------------------------------------------------------------------------------------------------------------------------------------------------------------------------------------------------------------------------------------------------------------------------------------------------------------------------------------------------------------------------------------------------------------------------------------------------------------------------------------------------------------------------------------------------------------------------------------------------------------------------------------------------------------------------------------------------------------------------------------------------------------------------------------------------------------------------------------------------------------------------------------------------------------------------------------------------------------------------------------------------------------------------------

* = only possible if not locked



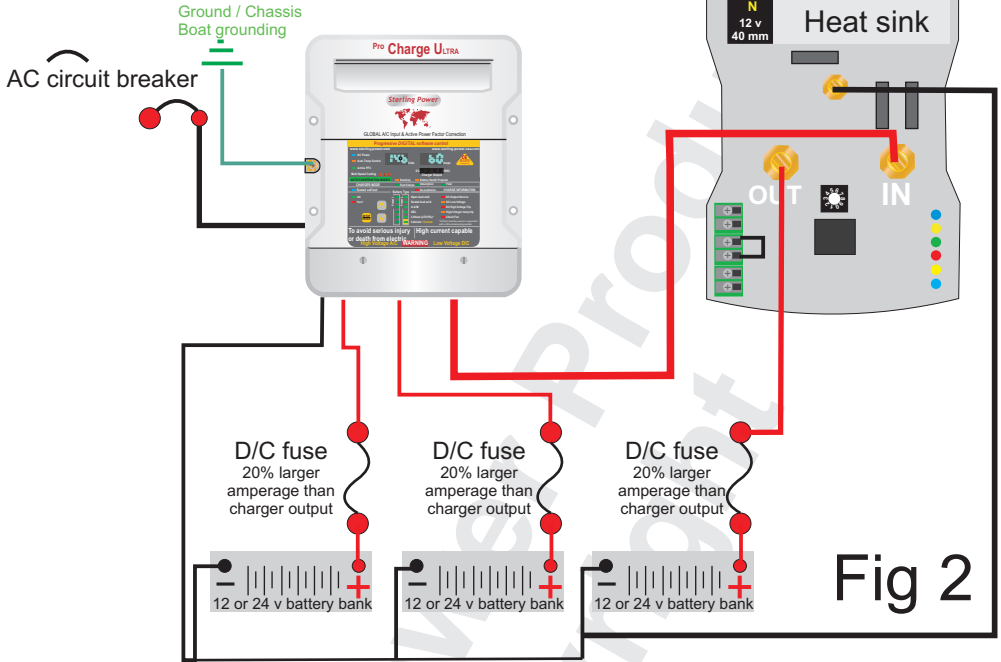
Manual / Deliberate open circuit feature via the remote control. Ensure you are on the home screen and hold both buttons simultaneously ~5 seconds. This shall result in oFF being displayed on the remote. LEDs 7 (blue), 8 (green), 9 (yellow) on the BCM shall start flashing, this suggests the **latching relay has opened**, however, the charger is now 100% isolated from the batteries. The unit shall remain open circuited until the user (you) closes it. To close circuit, simply hold down the left and right buttons until ON appears. Then the LEDs (7,8,9) shall **stop flashing** and the blue LED (LED 7) should come on.

Basic installation

more than one unit can be used

this is all that is required to make the unit work

Any manufactures' multi-output charger can be used, (up to the product's rating) and as long as the charger can deliver power when not connected to a battery ie the terminal is live

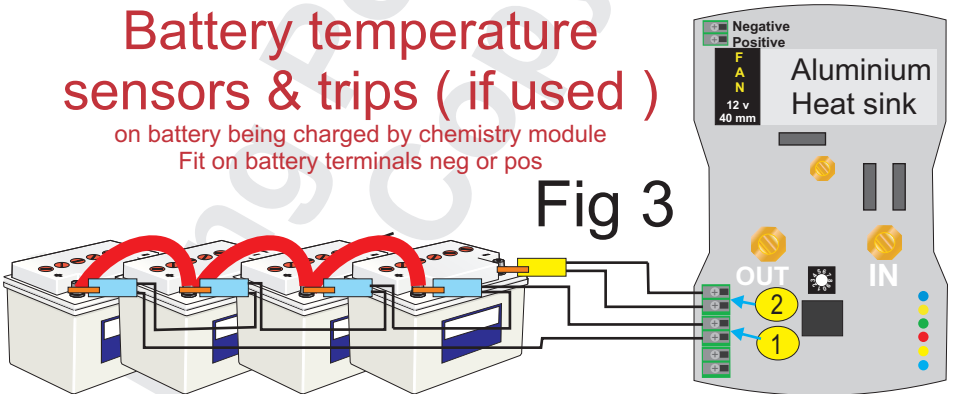


Battery temperature sensors & trips (if used)

on battery being charged by chemistry module

Fit on battery terminals neg or pos

Fig 3



Yellow

Temperature sensor (supplied with product)

used by the digital processors to adjust charging curves against temperature rise. It will also act as a high temperature trip - if, the battery it is connected to is the one overheating .

Blue

Individual battery temperature trip (daisy chained)

(optional). This product trips at 60 Deg C (Recommended but can be increased if required). It can be connected to as many batteries in series (daisy chain) and if any one of these batteries exceeds 60 Deg C the unit will trip. The chemistry module will show a warning

Remote volt sensor (if used)

For compensating for voltage drop on long run cables

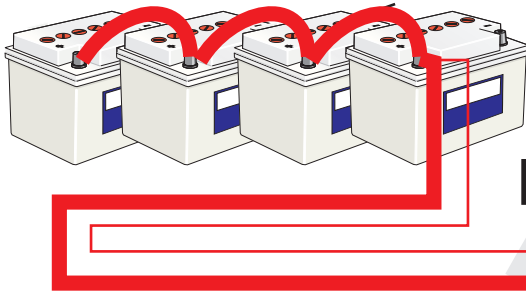
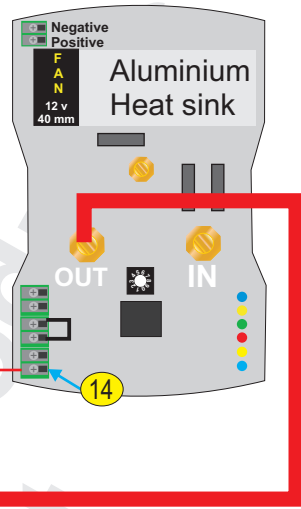


Fig 4



Attach a small sense cable to position 14 (remote voltage measurement) and the system will increase the voltage up to about 1V (if necessary) above set voltage to compensate for voltage drop in long cable runs. This wire is purely optional and, if not used, the unit will simply default to measuring voltage at the output stud of the module.

Ignition out (if used) Position 15

Used to supply a false ignition feed to integrate the product into a Sterling product called the **Pro Split R** to charge more battery banks.

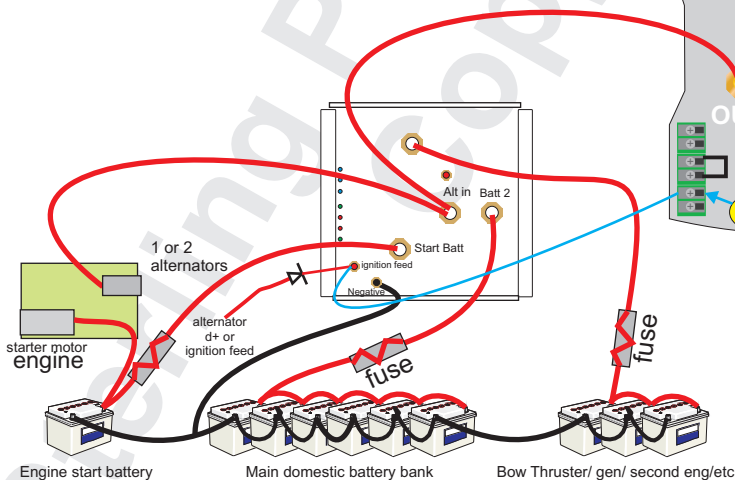
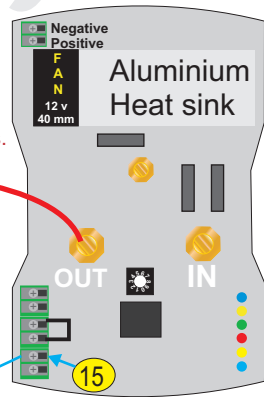
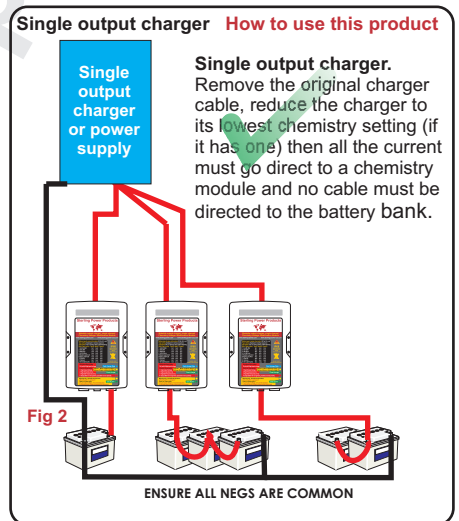
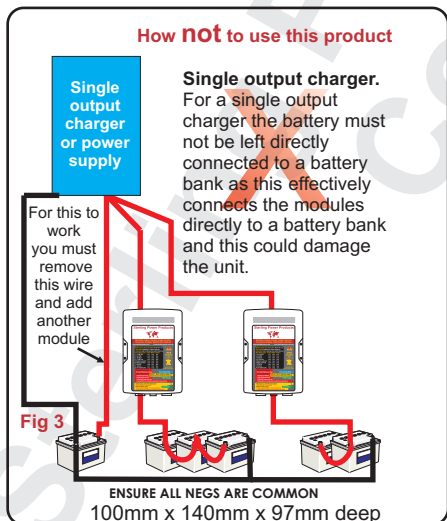
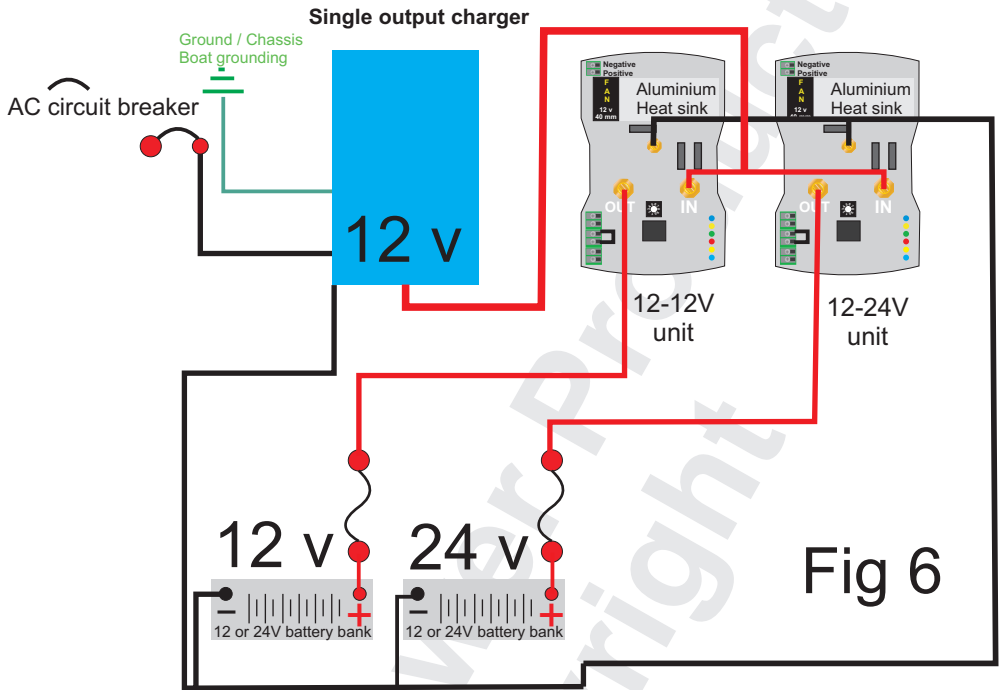


Fig 5



Multiple units on single output charger

For information only to show product flexibility





Customer Service & Warranty

Your 100 % satisfaction is our goal. We realise that every customer and circumstance is unique. If you have a problem, question, or comment please do not hesitate to contact us. We welcome you to contact us even after the warranty and return time has passed.

Product Warranty:

Each product manufactured by Sterling Power comes with at least a 2 year limited factory warranty. Certain Products have a warranty period of time greater than 2 years. Each product is guaranteed against defects in material or workmanship from the date of purchase. At our discretion, we will repair or replace free of charge any defects in material or workmanship that fall within the warranty period of the Sterling Power product. The following conditions do apply:

- **The original receipt or proof of purchase must be submitted to claim warranty. If proof cannot be located a warranty is calculated from the date of manufacture.**
- **Our warranty covers manufacture and material defects. Damages caused by abuse, neglect, accident, alterations and improper use are not covered under our warranty.**
- **Warranty is null and void if damage occurs due to negligent repairs.**
- **Customer is responsible for inbound shipping costs of the product to Sterling Power either in the USA or England.**
- **Sterling Power will ship the repaired or warranty replacement product back to the purchaser at their cost.**

If your order was damaged in transit or arrives with an error, please contact us ASAP so we may take care of the matter promptly and at no expense to you. This only applies for shipping which was undertaken by our company and does not apply for shipping organised by yourself. Please do not throw out any shipping or packaging materials.

All returns for any reason will require a proof of purchase with the purchase date. The proof of purchase must be sent with the returned shipment. If you have no proof of purchase call the vendor who supplied you and acquire the appropriate documentation.

To make a claim under warranty, call our customer care line at (USA 1-(207)-226-3500, England 01905 771771). We will make the best effort to repair or replace the product, if found to be defective within the terms of the warranty. Sterling Power will ship the repaired or warranty replacement product back to the purchaser, if purchased from us.

Please review the documentation included with your purchase. Our warranty only covers orders purchased from Sterling Power. We cannot accept warranty claims from any other Sterling Power distributor. Purchase or other acceptance of the product shall be on the condition and agreement that Sterling Power USA LLC and Sterling Power LTD shall not be liable for incidental or consequential damages of any kind. Some states may not allow the exclusion or limitation of consequential damages, so, the above limitations may not apply to you. Additionally, Sterling Power USA and Sterling Power LTD neither assumes nor authorizes any person for any obligation or liability in connection with the sale of this product. This warranty is made in lieu of all other obligations or liabilities. This warranty provides you specific legal rights and you may also have other rights, which vary from state to state. This warranty is in lieu of all other, expressed or implied.

Sterling Power Products Ltd

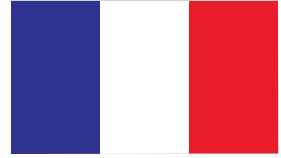
Unit 8, Wassage way
Hampton lovet ind est
Droitwich
Worcestershire
ENGLAND WR9 0NX
Tel : 01905 771771
Fax: 01905 779434
www.sterling-power.com

Sterling Power USA

Warranty Service Center
406 Harold Dow Highway,
Suite#4
Eliot, ME 03903
Phone: 207-226-3500
Fax: 207-226-3449
www.sterling-power-usa.com

Ip67
Waterproof
Electronics
Fan is IP55

French



Designed and developed in England

STERLING POWER PRODUCTS
MODULE DE CHARGE BATTERIE (MCB)

Technologie de charge avancée
Installation / Instruction
& manuel



Sonde température
incluse



sonde optionnelle
protection sur-chauffe
batteries alarme 60°



AQUANAUTIC
Water proof range

ATTENTION

Démontage du couvercle

Le couvercle est maintenu à la base par deux pattes.

Utiliser la main pour le retirer.

Placer le pouce sur une patte, un doigt sur l'autre patte.

Ne pas presser plus de 3 mm pour retirer la protection. Tirer ensuite le couvercle.

Ne pas appuyer trop fort, afin de ne pas détériorer les pattes.

Les pattes de fixation ne sont pas couvertes par la garantie



Garantie :



2 ans retour usine

Garantie soumise à conditions

www.sterling-power.com

www.sterling-power.usa.com

Made in Taiwan

Quel est l'intérêt de ce produit?

Une grande partie des bateaux et des véhicules spécialisés possèdent différents parcs de batteries. Ce type d'installation pose des problèmes si les batteries utilisées dans chaque parc sont de technologies différentes (batterie GEL et batterie au plomb ouvertes par exemple). Dans certains cas, les différents parcs peuvent même travailler sous des tensions différentes, 12 V, 24V). On peut avoir une batterie plomb ouverte pour le démarrage et des batteries GEL pour le parc de service, une batterie plomb fermée de 24V pour le propulseur d'étrave. Cette diversité pose problème à la plupart des chargeurs de batteries qui ne sont paramétrés qu'en fonction d'un seul type de batteries. La méthode usuelle consiste à régler le chargeur sur la tension la plus faible. Ce réglage n'est pas satisfaisant car chaque type de batterie (GEL, AGM et plomb ouvert) possède un cycle de charge différent. Une charge sous une tension trop faible réduit les performances de charge.

Quelle est la méthode utilisée ?

Le produit utilise le courant du chargeur et modifie les tensions pour s'adapter aux courbes de charge des différentes batteries. La tension de sortie est indépendante de la tension d'entrée fournie par le chargeur, cela permet de s'adapter à des types de batteries différents (ou de s'adapter à une tension différente 12-24V). On peut alors charger efficacement chacun des parcs de batteries de technologie différente sans sur-coût important. Ce produit peut s'adapter à tout chargeur existant (dans les limites des caractéristiques du produit).

Quel type de chargeur peut on utiliser avec ce produit?.

- 1) La tension et l'intensité du courant fourni par le chargeur doit être adaptée aux caractéristiques du MCB, par exemple pas plus de 60 Amp si le MCB est un modèle 60 Amp.
- 2) Le chargeur doit pouvoir être utilisé en alimentation (mode power pack sans batteries). Lorsque le chargeur n'est pas connecté à une batterie, sa tension de sortie doit être aux environs de 13/14V ou 26/28V (suivant la tension du système).
- 3) Si la sortie du chargeur possède une protection de polarité inverse ou si le chargeur demande une tension de référence pour être activé, le module de charge chimique ne fonctionnera pas. Le produit a besoin d'une tension active pour fonctionner.

Avantages de ce produit.

- 1) Facile à installer, il suffit d'insérer le MCB sur le câble reliant le chargeur aux batteries. On ajoute ensuite un câble négatif, et les câbles utiles pour la connexion des sondes de température..
- 2) **Transforme un chargeur ayant une seule phase de charge en un chargeur évolué ayant trois phases de charge.**
- 3) Modèles disponibles: 12V-24V, 24V-12V, 24V-24V et 12V-12V disponibles avec 9 types de batteries paramétrables et un cycle de désulfatation.
- 4) Permet d'utiliser un chargeur ancien et évite d'acquies un nouvel appareil.
- 5) 9 types de batteries, y compris les batteries au lithium

(LiFePO₄) avec système de gestion, peuvent être paramétrées, comprend un cycle de désulfatation.

6) 4 modèles: 12V-12V jusqu'à 60A, 24V-24V jusqu'à 30A. 12-24V jusqu'à 30A à 24V et 24V - 12V, jusqu'à 50A à 12V.

7) Sonde de température fournie avec chaque module. Permet d'ajuster le cycle de charge en fonction de la température des batteries.

8) Capteur de tension à distance disponible.

9) 6 LEDs témoins pour la charge, et LEDs d'avertissement en cas de problème.

10) En cas de problème le module devient passif, permet ainsi de le réparer ou de le remplacer quand on le souhaite.

11) Chaîne de contrôle des températures de chaque batterie. Ainsi chaque batterie peut être contrôlée, et l'appareil est coupé si l'une des batteries a une température trop élevée.

12) possède une borne témoin d'alimentation, pour être associé à un répartiteur de charge Pro Split R, ce qui permet d'augmenter le nombre de sorties si nécessaire.

Installation:

Doit être installé par une personne compétente, en cas de doute faites appel à un électricien qualifié. Enlever le couvercle de protection en pressant délicatement chacun des côtés (voir photo en première page)

Installer cet appareil le plus près possible du chargeur dans un endroit frais et bien ventilé. Un tel emplacement est de fait très difficile à trouver sur un bateau, c'est pourquoi l'appareil est muni d'un radiateur et d'un ventilateur. L'appareil fonctionne à plein régime jusqu'à 50° Si la température dépasse 55-60° les performances de l'appareil diminuent, vers 80° l'appareil se coupe.

On peut néanmoins installer l'appareil dans un compartiment moteur assez chaud, il est préférable de le placer le plus bas possible sur la cloison, afin d'avoir une température un peu plus basse.

Câbles

Le câble positif - Il transporte tout le courant du chargeur, et doit être dimensionné en conséquence, consultez le tableau, dans les pages suivantes, concernant les dimensions des câbles.

Fusibles

Sélection des fusibles CC. Comme l'indique le schéma tout câble positif reliant le chargeur ou le module à la batterie doit être muni d'un fusible. Il faut choisir un fusible de dimension supérieure de 20% à l'intensité maximum du chargeur, on arrondit ensuite le résultat. Par exemple un chargeur de 20 Amp aura un fusible de 25 Amp, un chargeur 60 Amp aura un fusible de 75 Amp. Ce fusible est surtout en place pour protéger le câble, placer le fusible au plus près des batteries. Une gamme complète de fusibles et de porte fusibles est disponible parmi les produits Sterling.

Le câble négatif - La conception de l'appareil implique que le câble négatif transporte environ 1/3 du courant traversant le câble positif, (environ 20A pour un module 12V/60). On peut donc utiliser un câble plus petit.

Avant de commencer assurez vous que le chargeur est éteint, que le courant alternatif 220V/110V est coupé,

Quel est l'intérêt de ce produit ?

Une grande partie des bateaux et des véhicules spécialisés possèdent différents parcs de batteries. Ce type d'installation pose des problèmes si les batteries utilisées dans chaque parc sont de technologies différentes (batterie GEL et batterie au plomb ouvertes par exemple). Dans certains cas, les différents parcs peuvent même travailler sous des tensions différentes, 12 V, 24V). On peut avoir une batterie plomb ouverte pour le démarrage et des batteries GEL pour le parc de service, une batterie plomb fermée de 24V pour le propulseur d'étrave. Cette diversité pose problème à la plupart des chargeurs de batteries qui ne sont paramétrés qu'en fonction d'un seul type de batteries. La méthode usuelle consiste à régler le chargeur sur la tension la plus faible. Ce réglage n'est pas satisfaisant car chaque type de batterie (GEL, AGM et plomb ouvert) possède un cycle de charge différent. Une charge sous une tension trop faible réduit les performances de charge.

Quelle est la méthode utilisée ?

Le produit utilise le courant du chargeur et modifie les tensions pour s'adapter aux courbes de charge des différentes batteries. La tension de sortie est indépendante de la tension d'entrée fournie par le chargeur, cela permet de s'adapter à des types de batteries différents (ou de s'adapter à une tension différente 12-24V). On peut alors charger efficacement chacun des parcs de batteries de technologie différente sans sur-coût important. Ce produit peut s'adapter à tout chargeur existant (dans les limites des caractéristiques du produit).

Quel type de chargeur peut on utiliser avec ce produit?.

- 1) La tension et l'intensité du courant fourni par le chargeur doit être adaptée aux caractéristiques du du MCB, par exemple pas plus de 60 Amp si le MCB est un modèle 60 Amp.
- 2) Le chargeur doit pouvoir être utilisé en alimentation (mode power pack sans batteries). Lorsque le chargeur n'est pas connecté à une batterie, sa tension de sortie doit être aux environs de 13/14V ou 26/28V (suivant la tension du système) .
- 3) Si la sortie du chargeur possède une protection de polarité inverse ou si le chargeur demande une tension de référence pour être activé, le module de charge chimique ne fonctionnera pas. Le produit a besoin d'une tension active pour fonctionner.

Quel câble utiliser ? (mm2)

A chargeur de puissance

0-25 amps
25-45 amps
45-85 amps
85-125 amps

Longueur câble 0-1.5m

6 mm carrés
16 mm carrés
25 mm carrés
35 mm carrés

1.5m - 4m

10 mm carrés
25 mm carrés
35 mm carrés
50 mm carrés

Remarque que si vous ne pouvez pas utiliser de câble 90 mm carrés, vous pouvez utiliser 2 câbles de 50mm carrés, ou 3 fois 35mm carrés. Peu importe le nombre de câbles, ce qui importe est la section totale des fils. Il vaut mieux avoir des fils de section plus importante, arrondissez vos résultats à la valeur

Avantages de ce produit.

- 1) Facile à installer, il suffit d'insérer le MCB sur le câble reliant le chargeur aux batteries. On ajoute ensuite un câble négatif, et les câbles utiles pour la connexion des sondes de température..
- 2) Transforme un chargeur ayant une seule phase de charge en un chargeur évolué ayant trois phases de charge.
- 3) Modèles disponibles: 12V-24V, 24V-12V, 24V-24V et 12V-12V disponibles avec 9 types de batteries paramétrables et un cycle de désulfatation.
- 4) Permet d'utiliser un chargeur ancien et évite d'acquies un nouvel appareil.
- 5) 9 types de batteries, y compris les batteries au lithium (LiFePO₄) avec système de gestion, peuvent être paramétrées, comprend un cycle de désulfatation.
- 6) 4 modèles: 12V-12V jusqu'à 60A, 24V-24V jusqu'à 30A. 12-24V jusqu'à 30A à 24V et 24V - 12V, jusqu'à 50A à 12V.
- 7) Sonde de température fournie avec chaque module. Permet d'ajuster le cycle de charge en fonction de la température des batteries.
- 8) Capteur de tension à distance disponible.
- 9) 6 LEDs témoins pour la charge, et LEDs d'avertissement en cas de problème.
- 10) En cas de problème le module devient passif, permet ainsi de le réparer ou de le remplacer quand on le souhaite.
- 11) Chaîne de contrôle des températures de chaque batterie. Ainsi chaque batterie peut être contrôlée, et l'appareil est coupé si l'une des batteries a une température trop élevée.
- 12) possède une borne témoin d'alimentation, pour être associé à un répartiteur de charge Pro Split R, ce qui permet d'augmenter le nombre de sorties si nécessaire.

Installation:

Doit être installé par une personne compétente, en cas de doute faites appel à un électricien qualifié. Enlever le couvercle de protection en pressant délicatement chacun des côtés (voir photo en première page)

Installer cet appareil le plus près possible du chargeur dans un endroit frais et bien ventilé. Un tel emplacement est de fait très difficile à trouver sur un bateau, c'est pourquoi l'appareil est muni d'un radiateur et d'un ventilateur. L'appareil fonctionne à plein régime jusqu'à 50° Si la température dépasse 55-60° les performances de l'appareil diminuent, vers 80° l'appareil se coupe. On peut néanmoins installer l'appareil dans un compartiment moteur assez chaud, il est préférable de

Ce produit démarre automatiquement dès qu'il est alimenté par le chargeur de batteries.

Correspondance des chiffres:

1) Optionnel coupure en cas de haute température batteries / Gestionnaire batteries remote off. Les 2 terminaisons sont livrées connectées. Toute interruption de cette liaison désactive l'appareil. Peut être utilisé pour des sondes de température connectées en série et capables de couper le circuit en cas de surchauffe d'une des batteries, ou un système de gestion de batteries. Equipement non indispensable

1A) Cette liaison doit exister si il n'y a pas de chaîne de contrôle de température ou de gestionnaire de batteries.

2) Bornier de la sonde de température (Si la sonde n'est pas connectée, l'appareil utilise une température de 25°C par défaut. (sonde jaune incluse).

3) Câble principal CC reliant l'appareil au parc de batteries. (OUT).

4) Borne négative principale doit être reliée au moins du système

5) Entrée principale positive du courant, entrée de la puissance reliée au chargeur (IN).

6) Alimentation de contrôle ventilateur, facilite son remplacement..

7) LED bleue informations de charge

8) LED jaune informations de charge

9) LED verte informations de charge

10) LED rouge détecte un problème.

11) LED information concernant des problèmes

12) LED bleue, puissance d'entrée disponible, appareil actif

13) Contrôle à distance & port de reprogrammation

14) Sonde de tension (utile lorsqu'on alimente un parc de batteries éloigné). Option, non nécessaire au fonctionnement.

15) Plus actif: Sortie utilisée pour activer le répartiteur de charge sterling Pro Split R en complément (augmentation du nombre de sorties)

16) Sélecteur type de batterie

17) 2 x Fusibles, protection en cas de sur-intensité

18) 1 Fusible pour sur intensité câble négatif (25A)

20) Sonde température, se relie à la sortie 2

21) Chaîne d'interruption haute température

Interprétation des LEDs

LED rouge (numéro 10 au-dessus). ERREURS, mise hors circuit de l'appareil.

Codes des alarmes- Il y a 6 alarmes différentes:

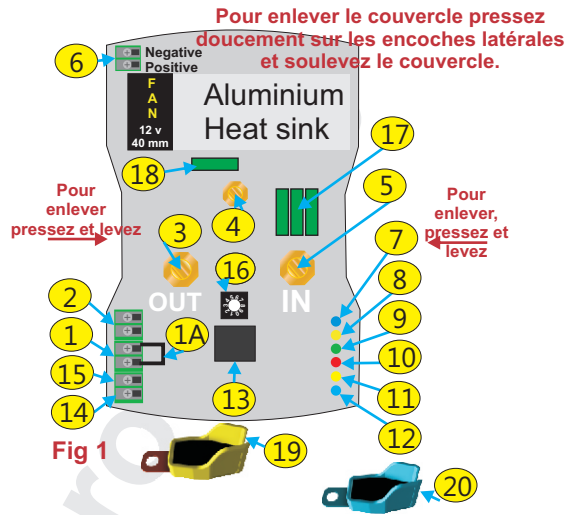
Contrôle à distance: L'affichage d'erreur est (EOx).

On (continu) = (EOO) = Tension entrée trop haute

1 x Flash = (EO1) = Tension sortie trop haute. Peut être causé par un produit défectueux, ou par une autre source de charge sur le parc de batteries.

2 x Flashes =(EO2) =Température élevée (80°C). L'appareil est en sur-chauffe, peut être causé par un ventilateur défectueux, ou une installation dans un environnement trop chaud.

3 x Flashes = (EO3) = Température batterie trop élevée (55°C). Ceci s'applique dans le cas où la sonde de



température est connectée. L'appareil possède un algorithme permettant de réduire la charge en cas de haute température afin de limiter ce type de problème.

5 x Flashes = (EO5) Rupture chaîne de contrôle, la température dépasse 60° dans l'une des batteries.

6 x Flashes = (EO6) Problème mécanique (100°C).

Ces alarmes déclenchent un relais qui isole le chargeur des batteries. Pour ré-initialiser le système, vous devez couper l'alimentation du chargeur vers l'appareil, (en déconnectant le chargeur par exemple).

LED jaune (numéro 11). Avertissements

Ceci concerne des messages divertissement, l'appareil continue de fonctionner..

Etat des leds:

On (solid) Tension entrée basse. Vérifier la tension d'entrée (sortie du chargeur). Celle-ci doit être au-dessus de 11.5V (x2 pour le modèle 24V).

1 x Flash = Tension batterie trop basse. La tension batterie est trop basse pour que l'appareil s'active.

2 x Flash = Alerte température haute (65°C+). Ceci indique que l'appareil a atteint une température supérieure à 65 degrés

3 x Flash = Tension maximum de compensation atteinte (pertinent seulement si la sonde de tension est utilisée). Ceci indique que la perte entre la sortie du BCM et la batterie est supérieure à 1V. Pour des raisons de sécurité, la sonde de tension ne peut compenser une perte supérieure à 1V. Afin de régler ce problème vérifiez que les câbles sont correctement dimensionnés et vérifiez la qualité des connexions du circuit reliant le MCB aux batteries.

Désactivation du MCB: Si vous souhaitez désactiver le MCB, vous pouvez le faire grâce à la commande à distance. Cela se traduira par les leds 7,8,9 (bleue, jaune et verte) clignotantes. Cela indique que le MCB a été arrêté par l'utilisateur, il s'agit simplement d'un message d'indication. Dans ce cas de figure, les batteries sont totalement isolées du MCB.

Démarrage et tests de procédure.

Une fois que l'appareil est correctement installé, le chargeur principal est éteint, aucune Led n'est allumée.

Allumer le chargeur de batteries, la séquence de départ est la suivante:

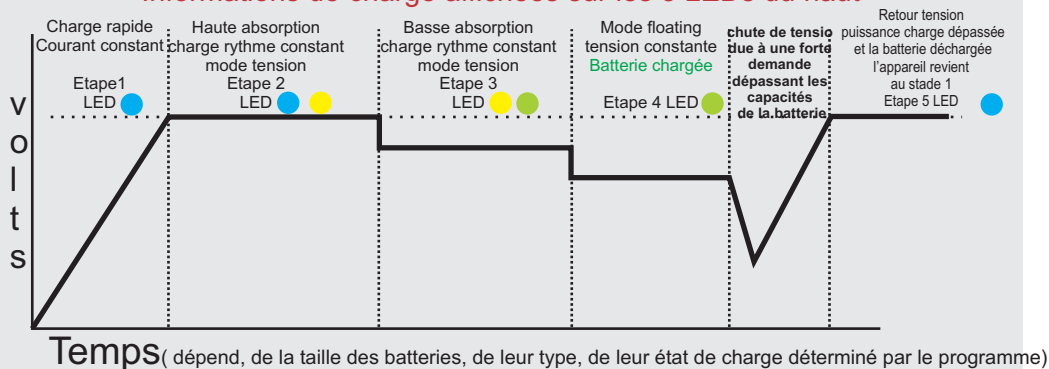
- 1) bleue 'puissance on' la LED du bas est allumée.
- 2) Environ 0.5 seconde après, pour vérifier leur bon fonctionnement, toutes les LEDs s'allument..
- 3) Toutes les LEDs s'éteignent, puis la LED bleue du haut clignote entre 1 et 9 fois, ce qui permet de vérifier le choix du type de batteries réglé sur le sélecteur rotatif.
- 4) Toutes les LED s'éteignent, afin de vérifier son bon fonctionnement le ventilateur se met en route à pleine vitesse.
- 5) Ensuite la LED verte (numéro 1 fig9)clignote 2 fois, pour indiquer que la sonde de température est connectée, si il n'y a pas de flashes ou si la LED reste toujours verte, la sonde n'est pas connectée, par défaut l'appareil considère que la température est de 20°.
- 6) L'appareil se met en mode charge.

L'appareil se met en mode charge en respectant les 5 étapes du cycle de charge, voir le graphique ci-dessous.

Si au départ rien ne se produit, vérifier que la LED bleue du haut est allumée. Si elle est éteinte il n'entre pas d'électricité dans l'appareil, mesurez alors les tensions d'entrée et de sortie et vérifiez que la tension de sortie est plus grande que la tension d'entrée pour savoir si l'appareil fonctionne.

Panneau de contrôle à distance voir fig 5

Informations de charge affichées sur les 3 LEDs du haut



Sélection type de batterie

nbre de flashes
LED bleue et
bouton Bat.

	Charge	Conditioning	Float	Min Boost	Max Boost
	volts	volts	volts	mins	mins
1 Gel USA	14.0	13.85	13.7	60	600
2 A.G.M	14.1	13.75	13.4	60	480
3 Scellée	14.4	14.15	13.6	120	480
4 Gel Euro	14.4	14.0	13.8	720	1440
5 A.G.M 2	14.6	14.1	13.7	60	480
6 Plomb ouverte	14.8	14.0	13.3	60	480
7 Calcium	15.1	14.3	13.6	60	360
8 De-sulphatation	15.5	0	0	240	240
9 LiFePO ₄	14.6	14.4	14.4	30	30

Fusibles: Tout câble provenant des batteries doit être protégé par un fusible.

Nous recommandons un fusible 20% supérieur à l'intensité maximum.

Par exemple pour un modèle 60A, un fusible de 80A sera mis en place

Le fusible doit être placé à 35 cm maximum des batteries

Sterling Power propose toute une gamme de fusible / porte fusible

Panneau de Contrôle à distance

L'écran affiche la tension d'entrée fournie par le chargeur de batteries.

Si 'cr' est affiché à un moment ou un autre ignorez ce signal, ceci indique qu'un message erroné a été envoyé par le BCM. C'est en général une erreur temporaire.

Notez que pour les systèmes 24V on paramètre les opérations comme s'il s'agissait d'une configuration 12V, par exemple pour entrer une valeur de 26 V, on entre la valeur 13V.

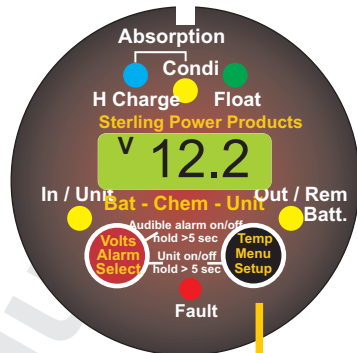
Bouton de gauche (Volts Alarm Select). Pressez le bouton pour lire la tension de sortie. Pressez de nouveau pour lire la tension aux bornes de la sonde de tension à distance, si cet élément n'est pas installé, il s'affiche 0.0V sur fond rouge, pressez une troisième fois pour revenir à la tension d'entrée. Maintenir pendant 4 secondes pour mettre l'alarme sur off, reprendre la procédure pour remettre l'alarme sur on.

Bouton de droite (Temp Menu Setup). Pressez le bouton pour lire la température de l'appareil, pressez de nouveau pour lire la température du parc de batteries (en utilisant la sonde). si la sonde n'est pas installée il s'affiche nc (non compliant). Pressez de nouveau pour lire la température de l'appareil.

Pour accéder au menu de paramétrage:

Pour accéder au menu et régler les paramètres, presser et maintenir le bouton de droite. (Temp Menu Setup) jusqu'à ce que SEL apparaisse (approximativement 5 secondes). bPc doit apparaître. Vous pouvez consulter les différents paramètres en pressant la touche de droite. La plupart des paramètres sont ajustables (se référer au tableau ci dessous pour plus d'information). Vous pouvez consulter chacun des paramètres en appuyant simplement sur le bouton de gauche.

Pour sortir de ce menu, presser simultanément la touche de droite et de gauche. End apparaît alors sur l'écran et vous indique que vous êtes sorti de ce menu.



menu déroulant

Comment déconnecter le circuit avec le panneau de contrôle.

Assurez vous que vous êtes sur l'écran principal. Pressez ensuite les deux boutons simultanément pendant 5 secondes. Off doit s'afficher sur l'écran. Les LED 7 (bleue), 8 (verte), 9 (jaune) de l'appareil doivent commencer à clignoter, ce qui indique que le relais bistable est ouvert, le chargeur est maintenant isolé des batteries, il restera dans cette configuration jusqu'au moment où vous le fermerez. Pour fermer le circuit, pressez les boutons de gauche et droite simultanément, "on" s'affiche, les LEDs ne clignent plus, la LED bleue est allumée.

Setup - Menu: Pour sortir d'un sous menu attendre simplement 10 secondes

"bPc" ← SEL

"btY"

"coU"

"loU"

"C/F"

"buC"

"ASc"

"con"

"bLc"

"bLt"

"br9"

"b9b"

"LEd"

"uld"

"uSW"

"rSW"

"Loc"

"rSt"

* = possible si l'appareil n'est pas verrouillé.

"bPc" Affiche le courant de boost, en pourcentage de la puissance de l'appareil.

"btY" Affiche le type de batteries (0-9). Ce nombre indique le profil de charge choisi par le BCM voir tableau sélection batteries page 3.

"coU" Affiche la tension à partir de laquelle le MCB arrête le mode boost (12.5V) Tjrs le même?

"loU" Affiche tension du système (12/24V).

"C/F" passe des degrés celsius aux degrés fahrenheit ou retour(par défaut = celsius). Pressez le bouton de droite pour changer Fahrenheit (FAH) en Celsius (cEL)

"buC" active ou non la sonnerie on/off* (défaut = on). Bouton gauche: **off** et droit pour **on**

"ASc" Défilement automatique on / off (défaut = off). Bouton gauche: **off** et droit pour **on**

"con" change le contraste valeur de 0 à 7 (défaut = 3). Bouton gauche:baisse et droit pour augmenter.

"bLc" Change la couleur arrière-plan*. off <- auto -> verte -> rouge-> bleue (defaut = auto). Pour changer bouton droit de off à bleue et bouton gauche de bleue à off.

"bLt" Change le temps d'éclairage*. 1 - 600 secondes, 0 = toujours on, (defaut = 60). Bouton droit augmente le temps, bouton gauche diminue, maintenir pour accélérer.

"br9" Change le paramétrage de la tension de rétroéclairage du fond rouge au fond vert* 8.0 - 13.3V (défaut 12.4V). Le bouton droit augmente, le bouton de gauche diminue, maintenir pour accélérer.

"b9b" Change la tension de l'éclairage du fond vert vers le fond bleu.12.4 - 16.0V (défaut 13.4V). Bouton droit augmente le temps, bouton gauche diminue, maintenir pour accélérer.

"LEd" change le temps d'activité des LEDs de 1 à 600 seconds, 0 = toujours on, (défaut = 60).

Pressez le bouton droit pour augmenter, le gauche pour diminuer, maintenez pour accélérer.

"uld" Affiche le numéro de série.

"uSW" Affiche la version du logiciel

"rSW" affiche la version du logiciel du contrôle à distance.

"Loc" Verrouillage, code possible de 0 à 999 (défaut =non verrouillé). **Attention**, ce mode verrouille l'appareil à l'aide d'un code, soyez prudent. Pressez le bouton de droite pour augmenter les valeurs et celui de gauche pour les diminuer. Relâchez le bouton quand vous obtenez le nombre désiré. Le programme mémorise cette valeur, on doit lire sur l'écran: loc -> on -> #. # = nombre enregistré. Pour quitter le mode verrouillé, revenir à loc, re entrer le nombre, relâchez le bouton, on lit: loc -> off (fond vert). **Notez bien le numéro de code.**

"rSt" Re-initialisation aux valeurs par défaut*. Bouton de gauche non, bouton de droite oui.

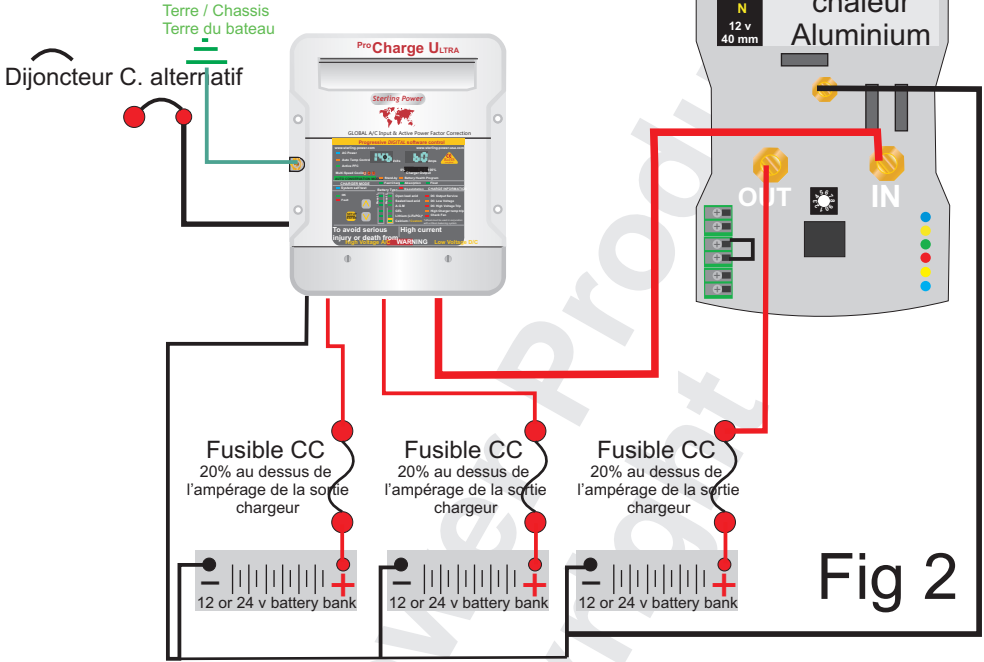
Laisser faire quand YES s'affiche pour re-initialiser.

* = uniquement si l'appareil n'est pas verrouillé.

installation de base

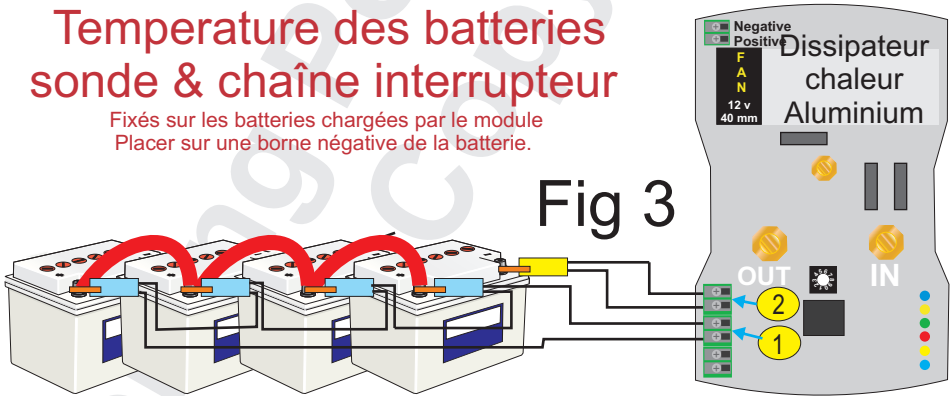
Tout ce qu'il faut pour que l'appareil fonctionne

N'importe quel chargeur à sorties multiples convient,
(Il doit être adapté à la capacité du BCM le chargeur doit pouvoir fournir de la puissance quand il n'est pas connecté à la batterie.



Temperature des batteries sonde & chaîne interrupteur

Fixés sur les batteries chargées par le module
Placer sur une borne négative de la batterie.



Jaune

Capteur température (fourni avec le produit)

Utilisé par le BCM pour ajuster la tension de charge.

Utilisé aussi pour lever les alarmes de température de batterie hautes.

Bleu

Protecteur de température batterie haute (optionnel)
Ce capteur permet la désactivation du produit dès que la température d'une des batteries est supérieure à 60 deg
Autant de capteurs optionnels que nécessaires peuvent être utilisés

Sonde de tension

Pour compenser les chutes de tension le long d'un câble

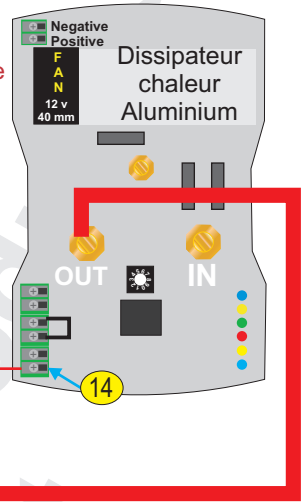
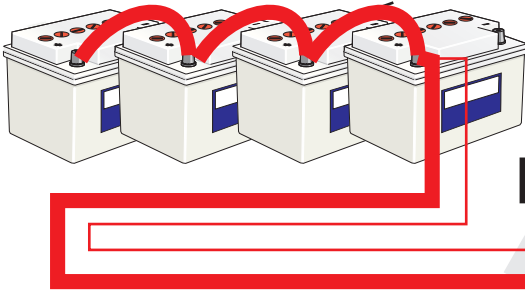


Fig 4

Relier par un petit câble en position 14 (erreur dans le texte anglais il indique 15) (mesure tension à distance) le système augmente la tension d'environ 1V (si nécessaire) afin de compenser la chute de tension le long du câble de liaison. Ce montage est optionnel. Si il n'est pas utilisé, l'appareil mesure directement la tension sur la borne de sortie.

Sortie témoin allumage (si utilisée)

Utile pour associer l'appareil au répartiteur

Sterling Pro Split R pour charger d'autres parcs de batteries

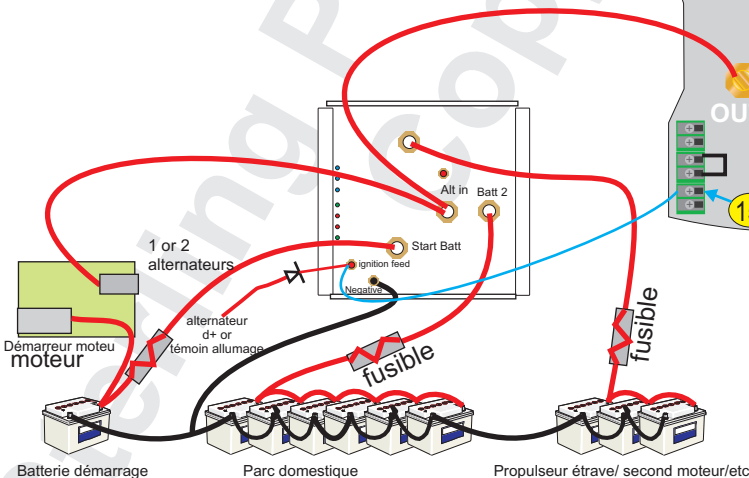
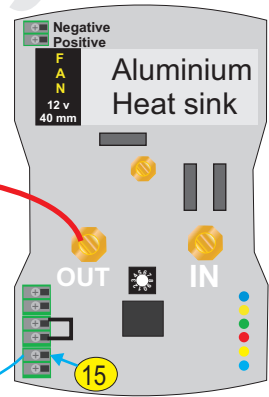
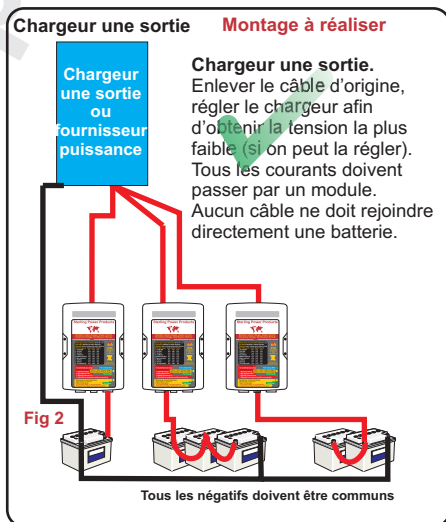
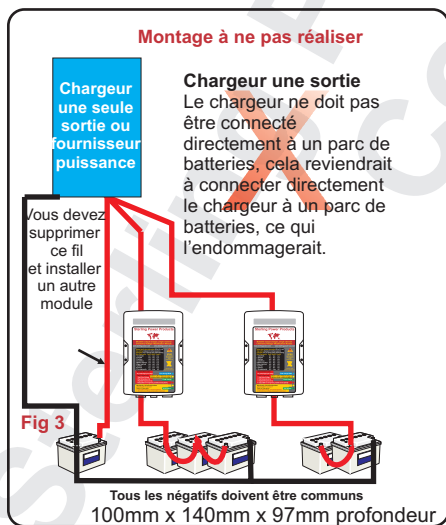
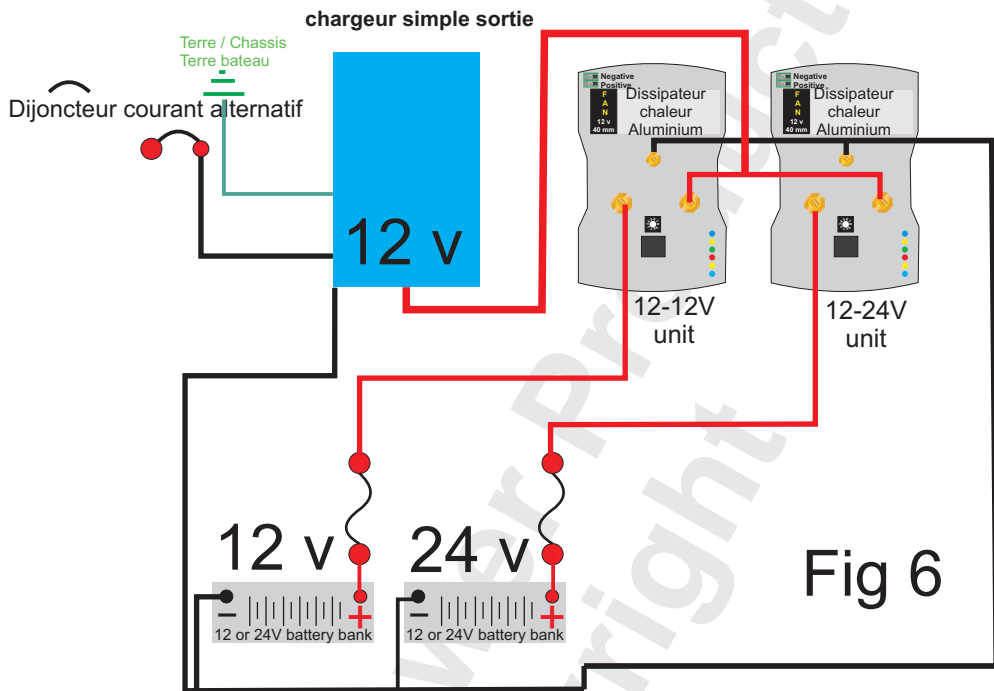


Fig 5

Sorties multiples sur un chargeur une seule sortie pour informations montre la flexibilité du produit



Garantie

Votre satisfaction à 100 % est notre but.

Nous savons que chaque consommateur est unique. Si vous avez un problème, une question, un commentaire n'hésitez pas à nous contacter, même si la période de garantie est terminée.

Garanties du produit:

Chaque produit fabriqué par Sterling est vendu avec une garantie d'au moins 2 ans, comptée à partir de la date d'achat. Chaque produit est garanti contre des défauts dans les matériaux ou des défauts de fabrication. Nous choisirons de remplacer ou de réparer le produit défectueux pendant la période de garantie.

Les conditions suivantes s'appliquent:

- **La preuve de l'achat doit être fournie, sinon la période de garantie commence à la date de fabrication de l'objet.**
- **Notre garantie couvre les défauts dans les matériaux et dans la fabrication. Les dommages causés par des négligences, des abus, des accidents, des altérations, une mauvaise utilisation ne sont pas couverts par notre garantie.**
- **La garantie ne s'applique pas si les dommages proviennent d'une mauvaise réparation.**
- **Le consommateur est redevable des frais d'envoi du produit.**
- **Sterling Power renverra le produit à ses frais**

Si votre produit a été endommagé pendant le transport, ou si il n'arrive pas à la bonne destination n'hésitez à nous contacter rapidement, nous pouvons régler le problème.

Ceci ne s'applique que pour le transport organisé par notre compagnie. Il est préférable de ne pas jeter l'emballage du produit.

Tout retour doit être accompagné d'une preuve d'achat. Si vous n'avez pas cette preuve demandez au vendeur qui vous a fourni la matériel de vous en fournir une nouvelle.

Pour faire une réclamation sous garantie, vérifier le numéro de téléphone sur internet. Nous ferons les meilleurs efforts pour remplacer ou réparer le produit, s'il est défectueux suivant les critères de la garantie.

Sterling Power Products Ltd

Unit 8, Wassage way
Hampton lovetv ind est
Droitwich

Worcestershire

ENGLAND WR9 0NX

Tel : 01905 771771

Fax: 01905 779434

www.sterling-power.com

Sterling Power USA

Warranty Service Center
406 Harold Dow Highway,
Suite#4

Eliot, ME 03903

Phone: 207-226-3500

Fax: 207-226-3449

www.sterling-power-usa.com

IP67
wasserdichte
Elektronik
Lüfter = IP55



Deutsch



Designed in England

STERLING POWER PRODUCTS

BATTERIE-LADE-ADAPTER

Fortschrittliche Ladetechnik

Installationsanleitung



Inkl. Temperatursensor



Optional
Digitaler Ketten-Sensor
60°C Auslösung



AQUANAUTIC
Water proof range



ACHTUNG

Entfernung der Abdeckung

Die Abdeckung ist durch 2 Laschen gesichert, welche am Hauptgehäuse sind.

Nutzen Sie nur 1 Hand.

Daumen auf einer Lasche und den Finger auf der anderen. Pressen Sie die Laschen nur leicht und maximal 3mm tief.

Die Abdeckung sollte jetzt abzunehmen sein.

Drücken Sie die Laschen nicht zu stark. Diese könnten abbrechen.

Abgebrochene Laschen fallen nicht unter die Garantie.

www.sterling-power.com
www.sterling-power.usa.com

Made in Taiwan

Garantie:
2-Jahres Werksgarantie



Warum benötige ich einen Batterie-Lade-Adapter?

Viele Boote oder Fahrzeuge haben verschiedene Batterie Typen installiert. Dieses kann zu Problemen führen, da die Batterien mit unterschiedlichen Spannungen geladen werden sollten (z.B. Gel + offene Blei-Säure-Batterien). Oder auch, wenn eine Batteriebank 24V statt 12V hat, aber die anderen Bänke auf 12V sind. Zum Beispiel, wenn die Starterbatterie eine offene-Blei-Säure Batterie, die Verbraucherbatterien AGM und die Bugstrahlruderbatteriebank auf 24V läuft. Das wäre ein Problem, da unterschiedliche Ladeschlussspannungen benötigt werden und auch noch ein anderes Spannungsniveau.

Was macht dieses Gerät?

Das Gerät verändert die Ausgangsspannung entsprechend der Anforderung des Batterietyps. Die Batterie wird unabhängig von der Eingangsspannung entsprechend der eingestellten Kennlinie geladen. Dann ist es möglich, verschiedene Batterietypen entsprechend der benötigten Kennlinie zu laden und auch eine 24V Batteriebank mit einem 12V Ladegerät zu laden.

Ladegerät Anforderungen zum Betrieb des Adapters.

- 1) Das Ladegerät muss mindestens 1 Ladeausgang besitzen. 2 oder 3 Ladeausgänge sind von Vorteil, wenn mehrere Bänke geladen werden sollen. Das Ladegerät /Netzteil darf nicht mehr als 60A (24V max. 30A) Ausgangsstrom haben.
- 2) Das Ladegerät muss auch als Netzgerät funktionieren. Auch ohne angeschlossene Batterien muss eine Spannung am Ausgang des Gerätes anliegen.
- 3) Die Ausgangsspannung des Ladegerätes sollte 14,4V dauerhaft nicht überschreiten. Ist eine Ladespannung des Ladegerätes für max. 4 Std. höher, ist das kein Problem.
- 4) Betreiben Sie ein Konstantspannungs-Netzgerät, dann stellen Sie die Spannung auf 14V ein.

Vorteile des Adapters.

- 1) Sehr einfache Installation. Das Gerät wird einfach zwischen dem Ladegerät und den Batterien installiert. Wenn möglich so nah wie möglich am Ausgang des Ladegerätes. Zusätzlich wird noch ein negatives Kabel benötigt. Ein Temperatursensor und ein Spannungsfühler können angeschlossen werden.
- 2) Verändert Einfach-Ladegeräteausgänge in ein Multi-Stufen-Ladegerät.
- 3) 12V-24V, 24V-12V, 24V-24V und 12V-12V Modelle erhältlich, mit 9 verschiedenen Batterietypen-Auswahl.
- 4) Ermöglicht den Umbau von alten Ladegeräte in moderne Stufen-Ladetechnik-Geräte.
- 5) 9 verschiedene Batterietypen, inklusive einer Desulfatierungs-Zyklus. Lithium-Ionen/Lithium-Ferro Ladung möglich, aber nur im Zusammenhang mit einem BMS.
- 6) 4 Modelle: 12V-12V bis 60A, 24V-24V bis 30A. 12-24V bis 30A bei 24V und 24V - 12V, bis zu 50A bei 12V.
- 7) Ein Temperatursensor gehört zum Lieferumfang, welche die Ausgangsspannung an die Batterie-

Umgebungstemperatur anpasst.

- 8) Spannungssensorkabel-Anschluss zum Ausgleich des Spannungsabfalls vom Adapter zur Batterie.
- 9) 6 LEDs zur Ladeüberwachung und Fehleranzeige
- 10) Schutzfunktion. Im Falle eines gravierenden Fehlers, schaltet das Gerät in den Sicherheitsmodus.
- 11) Batterie-Temperatur-Schutz. Mit dem optionalen Ketten-Temperatur-Sensor, können die Batterien in der Spannung überwacht werden. Sollte eine Batterie über 60°C warm werden, schaltet sich der Ladeadapter ab.
- 12) Ausgangssignal zum Anschluss eines Sterling ProSplit R Ladeverteilers. Damit kann der Ladestrom des Adapters auf weitere Batteriebänke verteilt werden.

Installation:

Das Gerät sollte von einem Elektrofachmann installiert werden. Haben Sie Zweifel an der Installation, beauftragen Sie bitte einen Elektro-Fachmann.

Entfernen Sie den Deckel, indem Sie die Laschen vorsichtig eindrücken. Drücken Sie nicht stärker als 5mm. Die Laschen könnten abbrechen.

Installieren Sie das Gerät so nah wie möglich am Ausgang des Ladegerätes/Netzteils. Der Ort muss gut belüftet und trocken sein. Das Gerät arbeitet bis zu einer Umgebungstemperatur von ca. 50°C mit maximaler Leistung. Ist die Umgebungstemperatur wärmer, sinkt die Leistung des Ladeadapters entsprechend.

Kabel

Die positiven Ladekabel - leiten den gesamten Strom des Ladegerätes. Deshalb müssen diese Kabel auch entsprechend stark ausgelegt werden.

Sicherungen

DC - Sicherungs-Auswahl - entsprechend der Zeichnung sollte jeder Ausgang vom Adapter oder Ladegerät mit einer Sicherung gesichert werden. Die Sicherung sollte ca. 20 - 50% zusätzliche Last vertragen können. Haben Sie ein Ladegerät mit 50A, dann sollte die Sicherung 60 - 80A sein.

Das Minus-Kabel - aufgrund der Technik des Adapters leitet das Minus-Kabel nur maximal 15A Strom. Entsprechend kleiner ist der Anschluss und auch auch der benötigte Kabelquerschnitt.

Spannungssensor, der Adapter kann den Spannungsabfall zwischen dem Ausgang und der Batterie ausgleichen. Als Sensorkabel kann ein dünnles Kabel verwendet werden, da hier nur eine Spannung übertragen wird.

Auswahl des Batterietyps - die Einstellung ist sehr einfach zu bewerkstelligen. Entfernen Sie den Deckel vorsichtig. Dann sehen Sie einen Drehschalter mit den Zahlen 0 - 9. Stellen Sie den Schalter auf den gewünschten Batterietyp. Beim Starten des Gerätes wird die blaue LED entsprechend der Einstellung des Schalters blinken. Z.B. ist der Schalter auf 5 gestellt, blinkt die blaue LED 5 Mal.

Die Werte der Batterietypen sind auf der Vorderseite

Warum benötige ich einen Batterie-Lade-Adapter?

Viele Boote oder Fahrzeuge haben verschieden Batterie Typen installiert. Dieses kann zu Problemen führen, da die Batterien mit unterschiedlichen Spannungen geladen werden sollten (z.B. Gel + offene Blei-Säure-Batterien). Oder auch, wenn eine Batteriebank 24V statt 12V hat, aber die anderen Bänke auf 12V sind. Zum Beispiel, wenn die Starterbatterie eine offene-Blei-Säure Batterie, die Verbraucher-batterien AGM und die Bugstrahlruderbatteriebank auf 24V läuft. Das wäre ein Problem, da unterschiedliche Ladeschlussspannungen benötigt werden und auch noch ein anderes Spannungsniveau.

Was macht dieses Gerät?

Das Gerät verändert die Ausgangsspannung entsprechend der Anforderung des Batterietyps. Die Batterie wird unabhängig von der Eingangsspannung entsprechend der eingestellten Kennlinie geladen. Dann ist es möglich, verschiedene Batterietypen entsprechend der benötigten Kennlinie zu laden und auch eine 24V Batteriebank mit einem 12V Ladegerät zu laden.

Ladegerät Anforderungen zum Betrieb des Adapters.

- 1) Das Ladegerät muss mindestens 1 Ladeausgang besitzen. 2 oder 3 Ladeausgänge sind von Vorteil, wenn mehrere Bänke geladen werden sollen. Das Ladegerät /Netzteil darf nicht mehr als 60A (24V max. 30A) Ausgangsstrom haben.
- 2) Das Ladegerät muss auch als Netzgerät funktionieren. Auch ohne angeschlossene Batterien muss eine Spannung am Ausgang des Gerätes anliegen.
- 3) Die Ausgangsspannung des Ladegerätes sollte 14,4V dauerhaft nicht überschreiten. Ist eine Ladespannung des Ladegerätes für max. 4 Std. höher, ist das kein Problem.
- 4) Betreiben Sie ein Konstantspannungs-Netzgerät, dann stellen Sie die Spannung auf 14V ein.

Vorteile des Adapters.

1) Sehr einfache Installation. Das Gerät wird einfach zwischen dem Ladegerät und den Batterien installiert. Wenn möglich so nah wie möglich am Ausgang des Ladegerätes. Zusätzlich wird noch ein negatives Kabel benötigt. Ein Temperatursensor und ein Spannungss-

fühler können angeschlossen werden.

- 2) Verändert Einfach-Ladegeräteausgänge in ein Multi-Stufen-Ladegerät.
- 3) 12V-24V, 24V-12V, 24V-24V und 12V-12V Modelle erhältlich, mit 9 verschiedenen Batterietypen-Auswahl.
- 4) Ermöglicht den Umbau von alten Ladegeräte in moderne Stufen-Ladetechnik-Geräte.
- 5) 9 verschiedene Batterietypen, inklusive einer Desulfatierungs-Zyklus. Lithium-Ionen/Lithium-Ferro Ladung möglich, aber nur im Zusammenhang mit einem BMS.
- 6) 4 Modelle: 12V-12V bis 60A, 24V-24V bis 30A. 12-24V bis 30A bei 24V und 24V - 12V, bis zu 50A bei 12V.
- 7) Ein Temperatursensor gehört zum Lieferumfang, welche die Ausgangsspannung an die Batterie-Umgebungstemperatur anpasst.
- 8) Spannungssensorkabel-Anschluss zum Ausgleich des Spannungsabfalls vom Adapter zur Batterie.
- 9) 6 LEDs zur Ladeüberwachung und Fehleranzeige
- 10) Schutzfunktion. Im Falle eines gravierenden Fehlers, schaltet das Gerät in den Sicherheitsmodus.
- 11) Batterie-Temperatur-Schutz. Mit dem optionalen Ketten-Temperatur-Sensor, können die Batterien in der Spannung überwacht werden. Sollte eine Batterie über 60°C warm werden, schaltet sich der Ladeadapter ab.
- 12) Ausgangssignal zum Anschluss eines Sterling ProSplit R Ladeverteilers. Damit kann der Ladestrom des Adapters auf weitere Batteriebanken verteilt werden.

Installation:

Das Gerät sollte von einem Elektrofachmann installiert werden. Haben Sie Zweifel an der Installation, beauftragen Sie bitte einen Elektro-Fachmann.

Entfernen Sie den Deckel, indem Sie die Laschen vorsichtig eindrücken. Drücken Sie nicht stärker als 5mm. Die Laschen könnten abbrechen.

Installieren Sie das Gerät so nah wie möglich am Ausgang des Ladegerätes/Netzteils. Der Ort muss gut belüftet und trocken sein. Das Gerät arbeitet bis zu einer Umgebungstemperatur von ca. 50°C mit maximaler Leistung. Ist die Umgebungstemperatur wärmer, sinkt die Leistung des Ladeadapters entsprechend.

Kabel

Die positiven Ladekabel - leiten den gesamten Strom

Empfohlene Kaberdurchmesser (mm²)

Maximaler Strom

0 - 25 A

25 - 45 A

45 - 85 A

85 - 125 A

Kabellänge 0 - 1,5m

6 mm²

16 mm²

25 mm²

35 mm²

1,5m - 4m

10 mm²

25 mm²

35 mm²

50 mm²

Der Ladeadapter startet automatisch, sobald eine Spannung vom Ladegerät geliefert wird.

Funktionen und Anschlüsse:

1) Optional. Sicherheitsschaltung über Ketten-Sensor oder BMS. Zum Anschluss entfernen Sie die Verbindung und ersetzen diese durch eine Schleife mit Ketten-Sensoren.

Wenn diese Funktion nicht genutzt wird, muss ein Kabel (Link) zwischen den Kontakten sein!

1A) Diese Verbindung muss installiert sein, wenn die Sicherheitsschaltung über Ketten-Sensoren nicht benutzt wird.

2) Anschluss für den Batterie-Temperatur-Sensor. Ist kein Sensor angeschlossen, wird von einer Temperatur von 25°C ausgegangen.

3) Batterie-Lade-Anschluss (OUT).

4) Minus / Negativ Anschluss

5) Eingang - Anschluss vom Ladegerät (IN).

6) Ventilator Anschluss

7) Blaue LED

8) Gelbe LED

9) Grüne LED

10) Rote LED Fehler Information

11) Gelbe LED Fehler Information

12) Blaue LED, Eingangsspannungs-Anzeige

13) Fernbedienungsanschluss

14) Batterie-Sensor-Anschluss (an Batterie-Plus) - dünnes Kabel! (optionaler Anschluss)

15) Anschluss für ein ProSplitR Ladeverteiler (Zündung).

16) Batterie Auswahl Schalter

17) 2 x Sicherung (Überlast)

18) 1 x Sicherung für den Minus-Leitung (max. 25A)

19) Batterie Temperatur Sensor

20) Ketten-Sensor (optional)

LED Anzeigen

Rote LED (nr 10). FEHLERANZEIGE

Alarm code für 6 Spannungsfehler

Fernbedienung zeigt den Fehlercode (EOx).

LED status:

An (konstant) = (EO0) = Zu hohe Eingangsspannung. Fehler liegt mit hoher Wahrscheinlichkeit am Eingangs-Ladegerät.

1 x Blinken = (EO1) = Zu hohe Ausgangsspannung. Eventuell liegt ein Fehler beim Produkt vor oder ein andere Ladequelle erzeugt eine zu hohe Spannung.

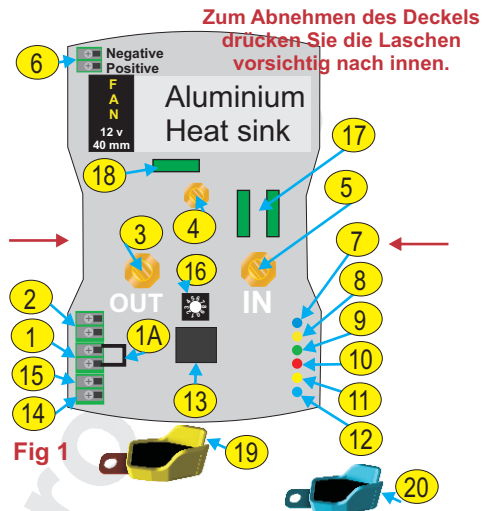
2 x Blinken = (EO2) = Gerätetemperatur > (80°C). Das Gerät ist überhitzt. Entweder ist der Lüfter defekt oder die Umgebungstemperatur zu hoch.

3 x Blinken = (EO3) = Batterietemperatur ist höher als (55°C). Die Batterie überhitzt und darf bei dieser Temperatur nicht weiter geladen werden. Entweder ist eine Zelle defekt oder es liegt ein Kontaktproblem vor. Überprüfen Sie die Batterie-Temperatur.

5 x Blinken = (EO5) = Ketten-Temperatur-Sensor oder BMS hat ausgelöst.

6 x Blinken = (EO6) = Gerätetemperatur > (100°C).

Alle diese Fehler öffnen das eingebaute Relais, so dass keine



weitere Ladung möglich ist. Auch wenn sich der Status wieder erholt hat, schaltet das Relais nicht automatisch wieder ein, da es sich um einen gravierenden Fehler handelt. Es muss erst das Eingangs-Ladegerät ausgeschaltet oder das Kabel zum Ladeadapter unterbrochen werden, damit der Ladeadapter wieder anfängt zu laden!

Gelbe LED (nr 11). WARNANZEIGE

Diese Anzeigen schalten den Ladeadapter nicht ab!

LED status:

An (konstant) = sehr niedrige Eingangsspannung. Eingangsspannung sollte über 11.0V(22.0V) liegen!

1 x Blinken = sehr niedrige Ausgangsspannung. Das Gerät kann nicht aktiviert werden.

2 x Blinken = Gerätetemperatur ist hoch > (65°C+). Überprüfen Sie den Lüfter und die Umgebungstemperatur.

3 x Blinken = Spannungsabfall zwischen dem Ladeadapter und der Batterie ist zu groß und überschreitet 1,5V. Entweder gibt es ein Kontaktproblem oder die Kabel sind zu dünn.

Manuelle Abschaltung. Wenn Sie das Ladeadapter manuell abschalten möchten, dann können Sie diese über die optionale Fernbedienung machen. Ist der Adapter über die Fernbedienung deaktiviert, dann blinken die LEDs 7,8 und 9 (blau, gelb und grün). Die Batterie wird dann nicht mehr geladen.

Startprozedur.

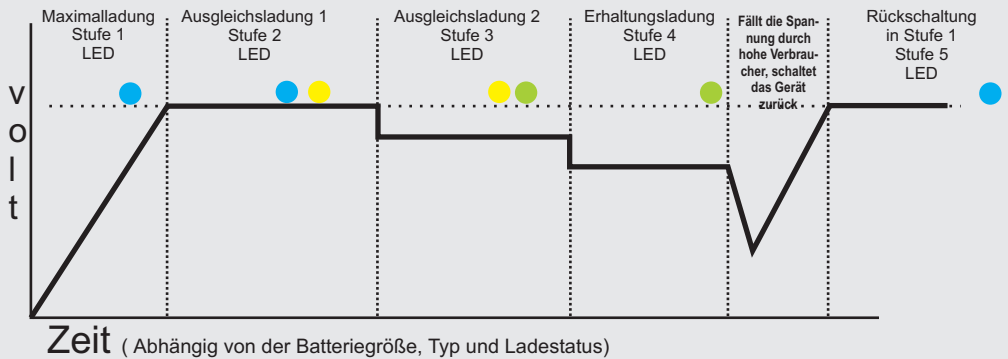
Nachdem der Ladeadapter korrekt angeschlossen ist und das Eingangs-Ladegerät ausgeschaltet ist, sollten KEINE LEDs leuchten.

Schalten Sie das Eingangs-Ladegerät ein:

- 1) die untere blaue LED (Eingangsspannung vorhanden) leuchtet.
- 2) Anschließen leuchten alle LEDs kurz auf.
- 3) Dann blinkt die obere blaue LED für x - Mal. Dieses Blinken zeigt den Batterietyp an. z.B. 3x blinken = Batterietyp 3
- 4) Nach der Anzeige gehen sind alle LEDs aus und der Lüfter fängt an zu laufen. Von langsam bis maximal. Dieses ist eine Testfunktion.
- 5) Ist ein Batterie-Temperatur-Sensor installiert, dann blinkt die grüne LED 2 Mal. Blinkt diese nicht, dann ist der Temperatursensor nicht erkannt oder kein Sensor installiert.
- 6) Das Gerät fängt mit dem Laden an.

Der Ladeadapter geht durch insgesamt 5 Stufen, welche hier unten beschrieben werden.

Ladeprofil Anzeige mit den 3 oberen LEDs



Blaue LED blinken und

Batterietyp Einstellung

Schalterposition	Charge volt	Conditioning volt	Float volt	Min Boost min	Max Boost min
1) Gel USA	14.0	13.85	13.7	60	600
2) AGM	14.1	13.75	13.4	60	480
3) Sealed	14.4	14.15	13.6	120	480
4) Gel EURO	14.4	14.0	13.8	720	1440
5) AGM 2	14.6	14.1	13.7	60	480
6) Offene Säure	14.8	14.0	13.3	60	480
7) Calcium	15.1	14.3	13.6	60	360
8) De-sulphation	15.5	0	0	240	240
9) LiFePO ₄	14.6	14.4	14.4	30	30

Sicherungen: Alle Kabel sollten abgesichert werden.

Dabei sollte die Sicherung ca. 20% höher ausgewählt werden, als der maximale Strom, welcher auf dem Kabel fließen könnte.

Fernbedienung

Als Standard wird die Ausgangsspannung angezeigt.

Wenn 'crc' angezeigt wird, bedeutet dieses nur, dass 1 Datenpaket nicht korrekt gelesen werden konnte. Sollte diese Anzeige nicht ständig fortbestehen, dann besteht kein Anlass zur Sorge.

Wenn Sie ein 24V Gerät haben, werden alle Einstellungen als 12V vorgenommen. Möchten Sie eine Einstellung wie z.B. 26V einstellen, dann müssen Sie 13V einstellen.

Schalter

Linker Druckschalter (Volts Alarm Select).

Kurzes Drücken schaltet die Anzeige weiter.

Ausgangsspannung -> Batteriespannung -> Eingangsspannung.

Ist kein Batteriespannungssensor angeschlossen, wird eine Spannung von 0,0 angezeigt.

Das Drücken von ca. 4 Sekunden, schaltet den Alarm ein oder aus.

Rechter Druckschalter (Temp Menu Setup).

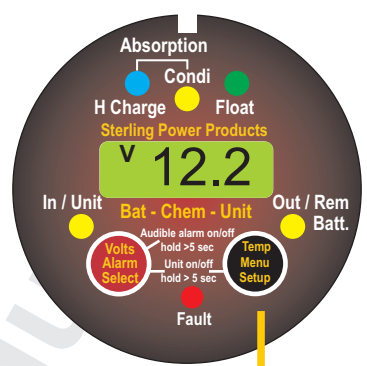
Kurzes Drücken schaltet die Anzeige auf Temperatur um. Weiteres kurzes schaltet auf die nächste Temperatur.

Gerätetemperatur -> Batterietemperatur

Ist kein Batterietemperatursensor angeschlossen, wird nc angezeigt.

Einstellungen von Parametern:

Um Einstellungen zu verändern, halten Sie den rechten Druckschalter für mindestens 5 Sekunden gedrückt, bis die Anzeige „SEL“ erscheint. Dann lassen Sie den Schalter los. Jetzt erscheint die Anzeige „bPc“. Um einen anderen Menüpunkt zu wählen drücken Sie kurz den rechten Druckschalter kurz. Möchten Sie einen dieser Menüpunkte auswählen, drücken Sie den linken Druckschalter „Select“. Einige Parameter sind einstellbar (siehe Liste unten).



menu scroll
(unidirection)

Manuelles Aus- und Einschalten über die Fernbedienung.

Stellen Sie sicher, dass entweder eine Spannung oder Temperatur angezeigt wird. Drücken Sie beide Druckschalter für mindestens 5 Sekunden. Ist der Ladeadapter ausgeschaltet, blinken die drei oberen LEDs.

Zum Einschalten müssen die beiden Druckschalter wieder für mindestens 5 Sekunden gedrückt werden.

Setup - Menu: Die Auswahl wird automatisch nach 10 Sekunden beendet.

“bPc” ◀ SEL

“btY”

“coU”

“IoU”

“C/F”

“buC”

“Asc”

“con”

“bLc”

“bLt”

“br9”

“b9b”

“LEd”

“uld”

“uSW”

“rSW”

“Loc”

“rSt”

“bPc” Anzeige des Booststroms in Prozent

“btY” Anzeige des eingestellten Batterietyps

“coU” Anzeige des Eingangsspannungs-Limits. Ist die Eingangsspannung gering, boostet das Gerät nicht mehr. (Standard: 12,5V (25V)

“IoU” Anzeige der Basis Eingangs- und Ausgangsspannung

“C/F” Wechsel der Temperaturanzeige von Celcius zu Fahrenheit. Drücken Sie den rechten Druckschalter. Sie sehen dann einen Wechsel der Anzeige von „ceI“ zu „FAH“

“buC” Ein-/Ausalten des Summers. Links drücken für „off“, rechts für „on“.

“Asc” Automatischer Wechsel der Anzeige ein/aus (standard = aus). Links drücken für aus „off“, rechts drücken für ein „on“.

“con” Kontrasteinstellung (0 - 7) Standard = 3. Links drücken um den Wert zu verringern, rechts drücken um den Wert zu erhöhen

“bLc” Wechsel der Hintergrundfarbe. aus <- auto -> grün -> rot -> blau (standard = auto). Zur Auswahl drücken sie den linken (blue -> off) oder rechten Schalter (off -> blue)

“bLt” Zeit der Hintergrundbeleuchtung. 1 - 600 Sekunden, 0 = ständig an, (standard = 60). Mit dem linken Schalter können Sie die Zeit verringern, mit dem rechten die Zeit erhöhen.

“br9” Farbwechsel-Spannung von rot zu grün. 8.0 - 13.3V (standard 12.4V). Mit dem linken Schalter können Sie den Wert verringern, mit dem rechten den Wert erhöhen.

“b9b” Farbwechsel-Spannung von grün zu blau 12.4 - 16.0V (default 13.4V). Press right button to increase value, press left button to decrease value. Hold to accelerate.

“LEd” Zeit der LED Anzeige 1 - 600 Sekunden, 0 = immer an, (standard = 60). Erhöhen sie den Wert durch drücken des rechten Schalters, verringern durch den linken Schalter.

“uld” Anzeige der Geräte Identifikations-Nummer

“uSW” Anzeige der Geräte-Software-Version

“rSW” Anzeige der Fernbedienung-Software-Version

“Loc” Gerät-Sperrungs-Code : 1 - 999 (standard = nicht gesperrt). **ACHTUNG** Durch Auswahl eines Codes wird das Gerät für einige Funktionen gesperrt. Drücken Sie den linken oder rechten Schalter um den Code auszuwählen. Halten Sie den Schalter gedrückt um die Auswahlgeschwindigkeit zu erhöhen. Haben Sie den Code eingestellt, warten Sie eine Weile.

Dann wird „ loc“ -> „on“ -> #. # = nummer, welche gespeichert wird. Um die Sperrung aufzuheben, stellen Sie den Code wieder ein. Anschließend wird „loc“ -> „off“ (grüne Hintergrundbeleuchtung) angezeigt. **Notieren Sie unbedingt den eingestellten Code!**

“rSt” Rückstellung auf Standardwerte. Linker Schalter „NO“, rechter Schalter „YES“ = Ja

* = nur möglich,

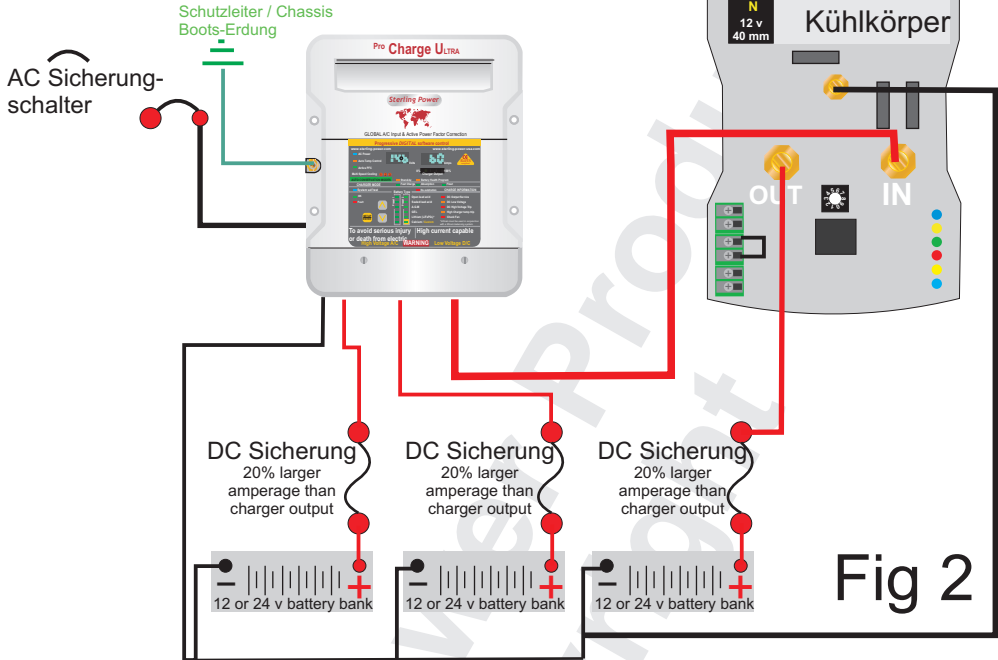
wenn nicht gesperrt

Basis Installation

es kann auch
mehr als 1 Gerät
verbaut werden

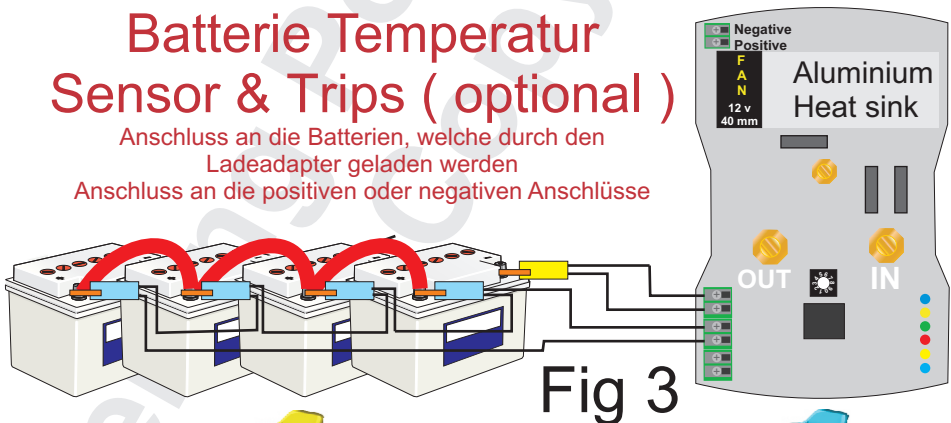
minimale Anforderung zum Betrieb

Es kann jedes Ladegerät/Netzteil verwendet werden
solange das Gerät eine Spannung liefert,
ohne dass eine Batterie angeschlossen ist.



Batterie Temperatur Sensor & Trips (optional)

Anschluss an die Batterien, welche durch den
Ladeadapter geladen werden
Anschluss an die positiven oder negativen Anschlüsse



Gelb

Temperatur Sensor (wird mitgeliefert (1Stk))
durch diesen Sensor wird die Temperatur
gemessen und die Ladeschlussspannung wird
entsprechend angepasst.
Ist die Temperatur zu hoch, schaltet das Gerät ab..

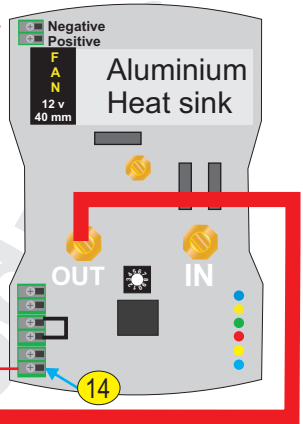
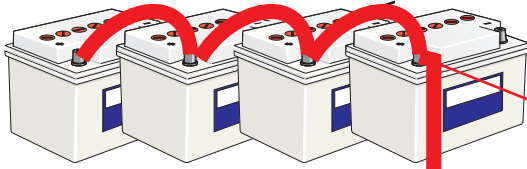
Blau

Individueller Batterie Temperatur Auslöser (Kette)
(optional). Dieser Sensor löst bei z.B. 60°C aus.
(Es gibt verschiedene Modelle mit unterschiedlichen Temp.).
Es können so viele wie nötige Kettensensoren hintereinander
geschaltet werden (Kette).
Löst einer dieser Schalter aus, schaltet das Gerät ab.

Batterie-Spannungs-Sensor (falls gewünscht)

Gleicht den Spannungsabfall auf dem Ladekabel aus.

Fig 4



Verbinden Sie ein dünnes Kabel mit dem Anschluss 14 und dem positiven Batteriepol, parallel zu dem vorhandenen Ladekabel.

Aktivierungs-Ausgang (falls gewünscht) Position 15

In Verbindung mit dem Sterling Ladestromverteiler ProSplitR wird dieser Ausgang benötigt, um den ProSplitR zu aktivieren.

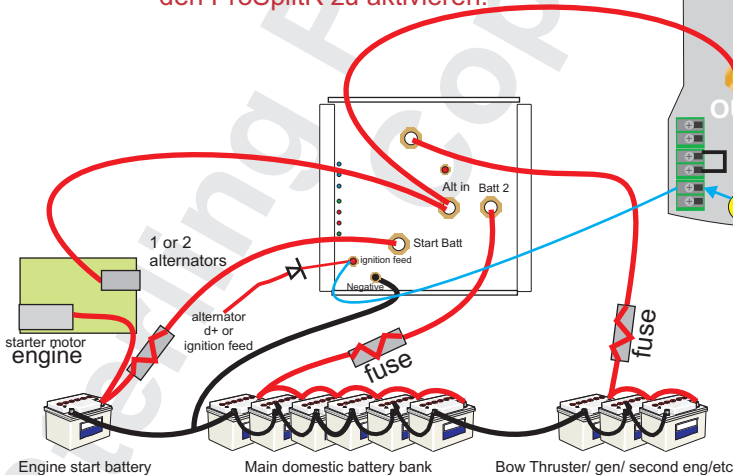
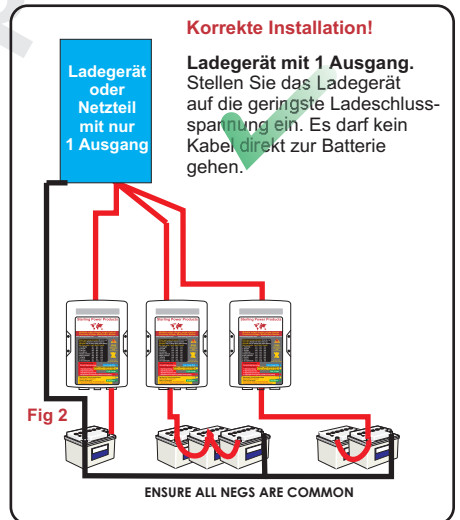
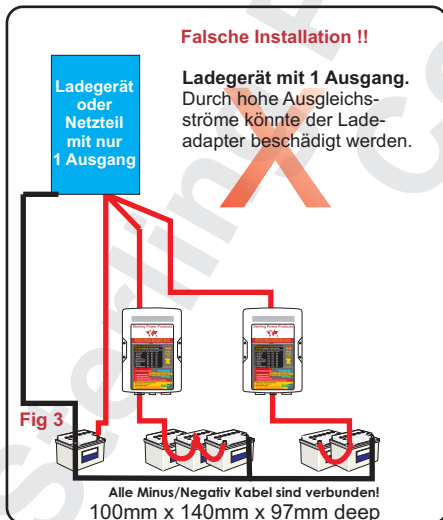
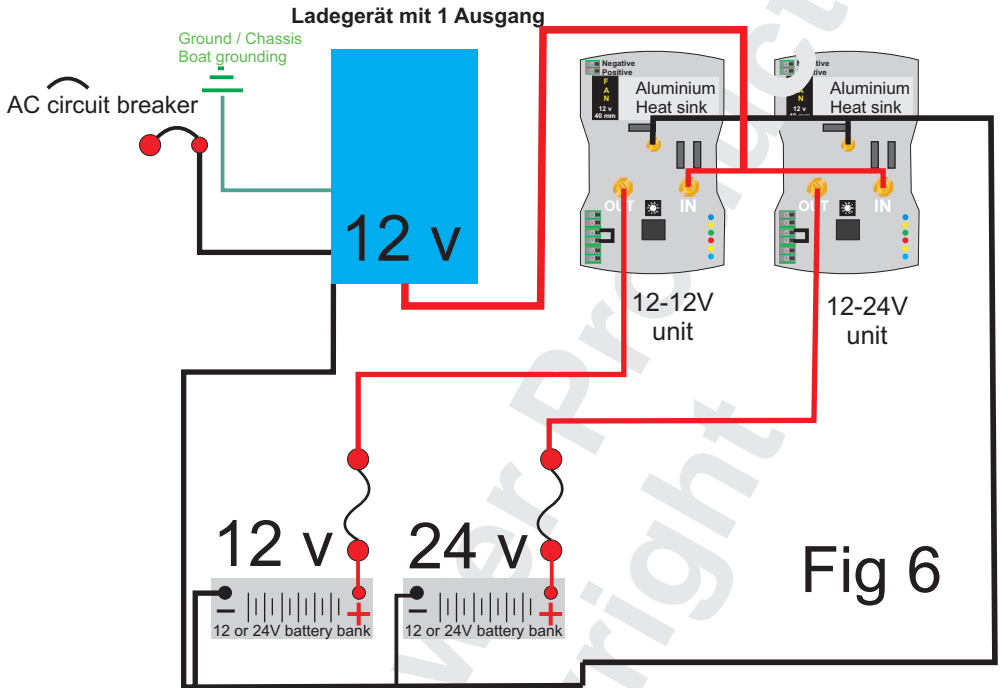


Fig 5

Mehrere Geräte an einem Ladegerät mit nur 1 Ausgang



›Kundenservice & Garantie

100% Kundenzufriedenheit ist unser Ziel. Wir verstehen, dass jeder Kunde und jede Situation einzigartig sind. Bitte zögern Sie nicht uns zu kontaktieren, falls Sie ein Problem, eine Frage, oder auch bloß einen Kommentar haben. Selbst nach Ablauf der Garantie laden wir Sie ein mit uns direkt zu sprechen.

Produktgarantie:

Jedes Sterling Power Produkt kommt mit mindestens 2 Jahren beschränkter Garantie. Manche Geräte haben eine längere Garantiefrist. Die Garantie deckt das Gerät bei Materialschaden oder Verarbeitungsfehlern. Je nach unserem Ermessen, werden wir ein fehlerhaftes Gerät reparieren oder austauschen, falls dieses unseren Garantiebedingungen unterliegt.

Diese sind wie folgend:

- **Originale Rechnung oder Kaufnachweis sind notwendig. Falls dies nicht nachgewiesen werden kann, berechnen wir die Garantie vom Herstellungsdatum.**
- **Unsere Garantie deckt Verarbeitungs- und Materialfehler. Schaden, welche durch Mißbrauch, Nachlässigkeit, Veränderungen und unsachgemäßen Gebrauch hervorgerufen wurden, sind nicht durch die Garantie abgedeckt.**
- **die Garantie ist nichtig falls ein Schaden durch nachlässige Reparaturen hervorgerufen wird**
- **der Kunde trägt die Versandkosten des reklamierten Gerätes zu Sterling Power, entweder in die USA, oder nach England.**
- **Sterling Power übernimmt den Rückversand zum Kunden im Falle einer Reparatur oder eines Garantieaustausches.**

Bitte kontaktieren Sie uns schnellstmöglich, falls Ihr Gerät im Versand beschädigt wurde oder fehlerhaft erscheint, damit wir Ihnen prompt und kostenlos helfen können. Dies trifft nur zu wenn der Versand durch uns stattfand, nicht wenn Sie diesen selbst organisiert haben. Bitte behalten Sie alle Packungsmaterialien.

Für alle Retouren muss ein Kaufnachweis mit Kaufdatum vorgezeigt werden. Dieser muss mit der Reklamation gemeinsam retourniert werden. Falls Sie keinen Kaufnachweis haben, bitte kontaktieren Sie den Händler, der Sie mit dem Gerät beliefert hat, für die notwendigen Dokumente.

Um eine Garantie in Anspruch zu nehmen, kontaktieren Sie unsere Kundennummer (USA 1-(207)-226-3500, England +44 1905 771771). Wir werden unser Bestes versuchen das Gerät zu reparieren oder auszutauschen, falls der Schaden durch die Garantie gedeckt ist.

Bitte lesen Sie alle Unterlagen bezüglich Ihres Kaufes genau durch. Unsere Garantie deckt nur Geräte welche direkt von Sterling Power Products gekauft wurden. Wir können leider keine Garantieforderungen durch andere Sterling Power Händler akzeptieren. Durch den Kauf oder die Entgegennahme eines Produktes stimmen Sie zu, dass Sterling Power USA LLC und Sterling Power LTD nicht für Zufalls- oder Folgeschaden verantwortlich gemacht werden können. Da manche Staaten diese Ausnahme oder Limitierung nicht zulassen, kann es sein dass dies nicht auf Sie zutrifft. Zusätzlich wird keine Haftung oder Verpflichtung im Zusammenhang mit dem Verkauf dieses Produktes übernommen, weder durch Sterling Power USA, Sterling Power LTD, noch jemand anderes. Diese Garantie existiert anstelle anderer Verpflichtungen oder Verbindlichkeiten. Diese Garantie gibt Ihnen bestimmte gesetzliche Rechte, sowie andere rechte, welche von Staat zu Staat variieren. Diese Garantie gilt anstelle aller anderen ausgedrückten, oder implizierten Garantien.

Sterling Power Products Ltd

Unit 8, Wassage Way
Hampton Lovett Ind Est
Droitwich
Worcestershire
ENGLAND WR9 0NX
Tel : 01905 771771
Fax: 01905 779434
www.sterling-power.com

Sterling Power USA

Warranty Service Center
406 Harold Dow Highway,
Suite#4
Eliot, ME 03903
Phone: 207-226-3500
Fax: 207-226-3449

www.sterling-power-usa.com