



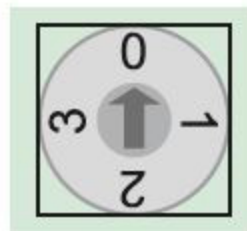
Suitable for:
ACM12
ACM1224
ACM2424

Pro Combi S+ / S2 Auxiliary Charge Module (ACM)

The Auxiliary Charge Module (ACM) is a charging module designed to be added to the circuit board of Sterling Power's Pro Combi S+ / S2 series of inverter / chargers. Typically you would have the main DC pos/neg terminals of your Combi connected to the domestic / house / service battery. In addition, you would connect the ACM to the Combi to allow charging of your starter / engine battery. The ACM provides a ~5A (at 12V) charge to keep the starter battery topped up. Thus, turning your Combi into a 2 output charger.

Installation Instructions

Firstly, on the circuit board of the ACM, select a suitable charging profile using the clock dial switch.

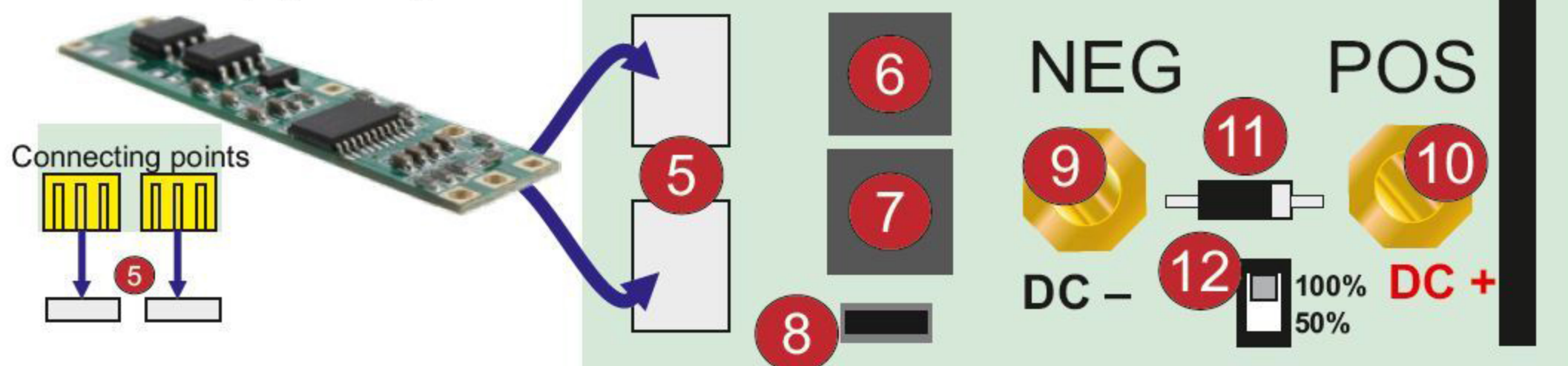


Dial #	ACM12	ACM1224	ACM2424
0	13.3V	26.6V	26.6V
1	13.8V	27.6V	27.6V
2	14.0V	28.0V	28.0V
3	14.4V	28.8V	28.8V

The maximum voltage the ACM can achieve is 0.3V lower than the primary charger on the Combi S+ / S2. For example, if you want the dial 3 option (14.4V) but your primary charger is at 14.4V, the maximum voltage out of the ACM shall be 14.1V.

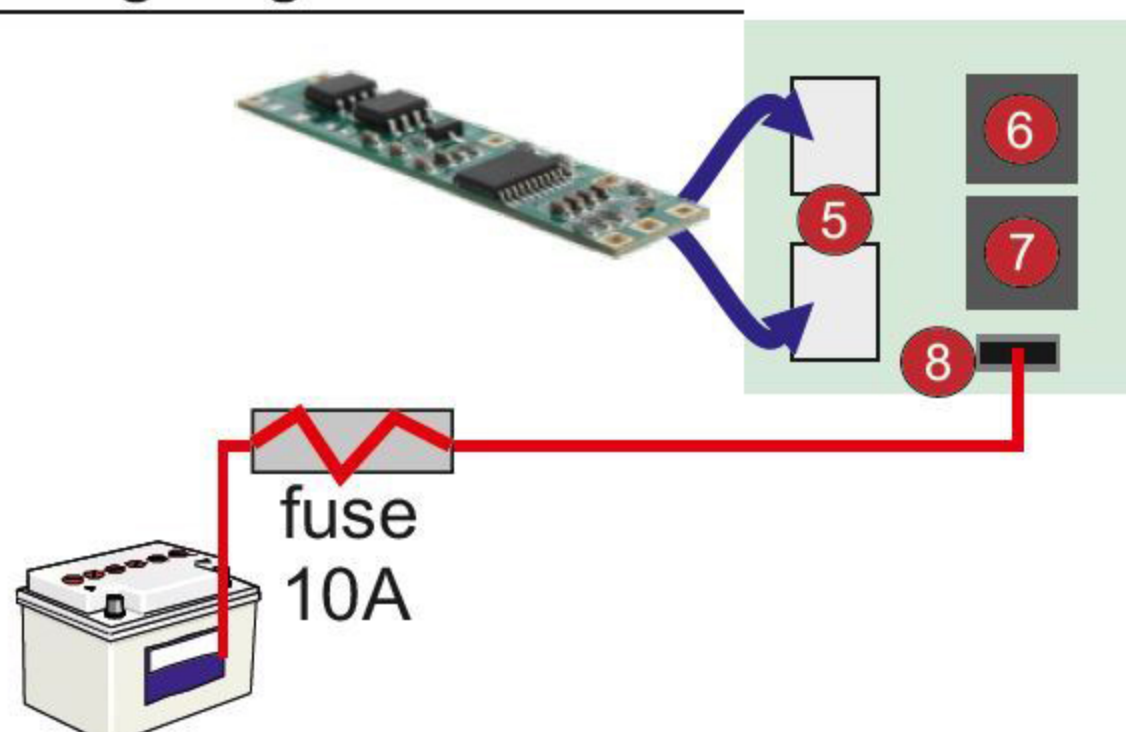
Low voltage of the ACM is not limited by this quirk. The voltage can go as low as the Dial 0 setting allows (i.e. 13.3V) even if primary charger is at 14V+.

Generic circuit board to depict ACM.
For illustration purposes only.



Remove the DC red end cap of the Combi (left side), this shall reveal the circuit board, as illustrated above. Refer to the Combi instruction manual, if needs be. Position 5 is where you connect the ACM to the circuit board. It only fits in one orientation comfortably. If you are applying force, you are doing it incorrectly. Position 8 is the positive feed on the Combi's circuit board that is now enabled. This positive connector (8) can now be connected up to the starter / engine battery. There is no positive connection on the ACM itself. It simply activates position 8 to make it positive. **ACM connection does not require negative connection.**

Wiring Diagrams



Combi S+

Auxiliary Charge Module



Slot the module into the Combi S+ /S2 and connect positive connector (8) to starter bank.

