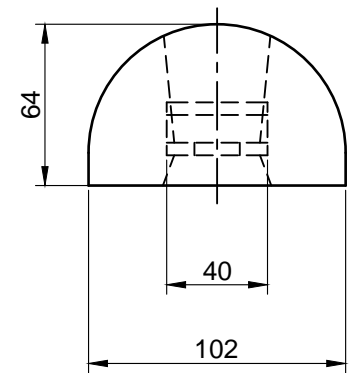
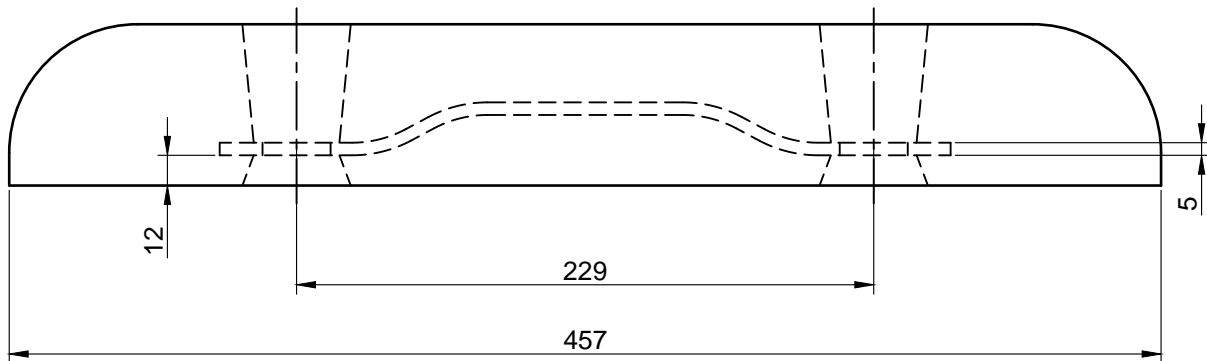
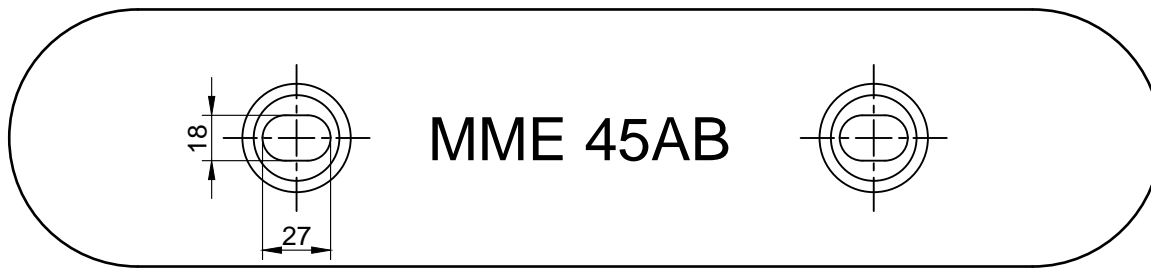


A B C



Aluminium alloy specification


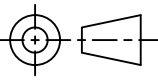
Components	Impurities	Percentage (%)
Silicon		0.05 - 0.20
Zinc		3.50 - 5.00
Titanium		0.01 - 0.05
Bismuth		0.05 - 0.15
Indium		0.02 - 0.05
Aluminium		Remainder
	Copper	0.01 max
	Iron	0.15 max
	Others each	0.02 max
	Others total	0.05 max

Electrochemical capacity: 2700 Ahr / Kg nominal
Solution potential: -1100 mV vs. Ag / AgCl reference cell nominal (in seawater)

Other specifications are available on request.

Note: All dimensions and weights are nominal. Dimensions in mm
 All data is subject to change without prior notice
 Anode is fitted with holes suitable for M16 studs and nuts
 Anode can also be provided with backing sheet or backside coated

Nett Weight: 4.5 Kg
 Gross Weight: 5.0 Kg

Date:			Cathodic Protection Division Rietdekkerstraat 16 P.O. Box 4222 2980 GE Ridderkerk Netherlands Tel: +31 (0)180 48 28 28 E-mail: sales@mme.nl www.mme-group.com		Projection: 
			Order number: Aluminium Alloy Bolt On Hull Anode MME 45AB		Scale: 1:3
Description:	Drawn: FZE	Date: 30-01-17	Project:		Sheet 1/1
	Checked: PdG	Date: 30-01-17	Dwg: MME 45AB		
Rev.	Approved: PP	Date: 30-01-17	Copyright MME. No part of this drawing may be copied, disclosed, or made public, in any form, without prior written consent of Materiaal Metingen Europe.		

A B C