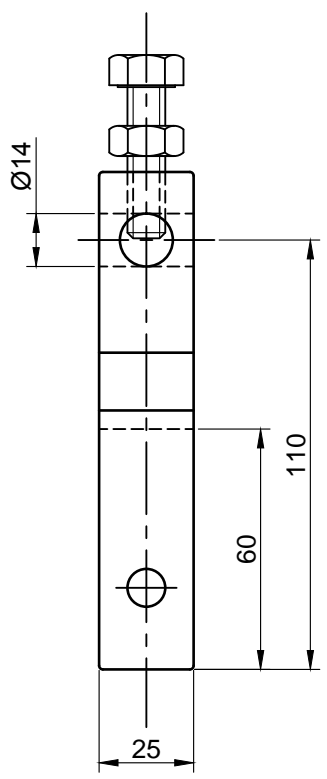
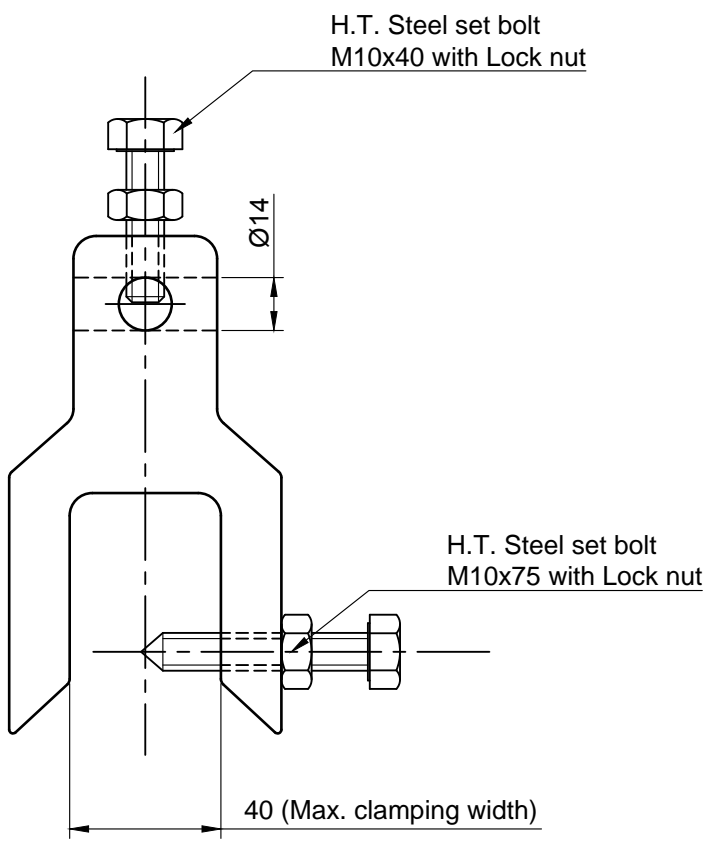


A


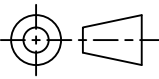
B

C



Nett Weight: 0.95 Kg  
Gross Weight: 0.95 Kg

Note: All dimensions and weights are nominal. Dimensions in mm  
For installing tank anodes without welding  
2pcs per installed tank anode required

|              |   |                |   |                           |  |
|--------------|---|----------------|---|---------------------------|--|
| Date:        |  |                | <b>Cathodic Protection Division</b><br>Rietdekkerstraat 16<br>P.O. Box 4222<br>2980 GE Ridderkerk<br>Netherlands<br>Tel: +31 (0)180 48 28 28<br>E-mail: sales@mme.nl<br>www.mme-group.com |                           | Projection:<br><br>Scale: 1:2 |
|              |   |                | Order number:   | "M" - Clamp<br>Mild Steel |  |
| Description: | Drawn: PdG  | Date: 31-07-13 | Project:  |                           | Sheet<br>1/1   |
|              | Checked: JdR  | Date: 31-07-13 | Dwg: M - Clamp  |                           |  |
| Rev.         | Approved: PM  | Date: 31-07-13 | Copyright MME. No part of this drawing may be copied, disclosed, or made public, in any form, without prior written consent of Materiaal Metingen Europe.                                 |                           |  |

A

B

C

1

1

2

2